



better together



DRAINAGE AND WASTEWATER PRODUCT BROCHURE 2021



better together



Zenit offers solutions:

- A wide range of customised solutions for industrial, domestic and civil plants.
- Products that adapt to challenging conditions minimizing implementation as well as running costs, yet maintaining efficiency.
- Complete pre and after-sales service to enhance your experience with us, as we thrive on the relationship with our customers, built on trust and integrity.

Manufacturers of:

- Submersible Electric Pumps
- Mixers
- Bottom Diffusers
- Lifting Stations
- Remote Controllers
- Accessories

Our Organisation

Zenit is a company with international presence founded in the late 1950's.

Today Zenit is the benchmark for the entire sector because of the experience gained, the professionalism of its staff and its consolidated presence on the international market. Zenit is also a major international leader in the wastewater treatment sector, with a range of high-performance electric submersible pumps and other products.

Zenit Group is composed of different units, which manufacture and distribute wastewater treatment products across the globe, each of them with its own organisation but all operating in pursuit of a shared goal.

ZENIT GROUP IS THE RESULT OF A SUCCESSFUL COMBINATION OF ENTREPRENEURIAL STRATEGIES AND INSIGHTS



Modena
Italy

Equipped with state-of-the-art finished product storage and handling equipment.



Luxembourg
Europe

In January 2009, its mission was to create a logistics and sales hub in the middle of Europe, to meet the needs of a demanding global market.

Innovation

Zenit work to constantly improve products and efficiency of service

Tradition

Based on the work of skilled, dedicated people who have given value and credibility to solutions over the years, highlighting the expertise of those who have spent a lifetime in the market and therefore know what to do and how to do it.

Tradition is a source of reliability, solidity and the ability to keep promises, guaranteeing the quality of our products and the solutions delivered to our customers.



Suzhou
China

Handles customer management and control of the local market and promotes the corporate brand and ensures brand and product visibility at fairs and events right across China.



Singapore
Asia-Pacific

The Zenit regional office founded in 2006 to give the company a strong presence on the Asia-Pacific and Oceania markets.

4 DRAINAGE & WASTEWATER PUMP SELECTION GUIDE

A guide to help you choose the most suitable pump for your application

5 PUMP TERMINOLOGY

A quick guide for terminology and phrases used in the pump environment

6 STEEL SERIES

High performance, compact stainless steel submersible pumps for optimal service in household installations and small civil plants.

DR STEEL Stainless steel, through-flow Drainage Pumps

DG STEEL Stainless steel, through-flow Vortex Pumps

10 BLUE SERIES

Intended mainly for domestic and residential installations and provides compact size and outstanding reliability.

DR BLUE Submersible Drainage Pumps

DG BLUE Submersible Vortex Pumps

14 BLUE PROFESSIONAL SERIES

Intended for use in applications requiring high performance or prolonged, heavy-duty operation in domestic and residential applications.

DR BLUE PRO Submersible Drainage Pumps

DG BLUE PRO Submersible Vortex Pumps

20 E SERIES

Lightweight, reliable cast iron submersible pumps. Suitable mainly for permanent installations yet they can also be used in emergencies for pumping-out flooding premises or for temporary installations for pumping from wells and tanks.

DRE Cast Iron Submersible Drainage Pumps

DGE Cast Iron Vortex Drainage Pumps

SME Single Channel Closed Impeller Pumps

26 GREY SERIES

New solutions for pumping clear wastewaters and black waters in civil, residential and industrial applications.

DRG Industrial Drainage ATEX Submersible Pumps

DGG Industrial Drainage ATEX Vortex Pumps

APG Industrial Drainage ATEX High Head Pumps

GRG Industrial Drainage ATEX Grinder Pumps

26 UNIQA®

Bespoke design and build ensures the perfect solution for any domestic, commercial and industrial application.

26 MIXER SERIES

A practical, efficient solution for mixing liquids in water treatment and purification plants.

40 BLUE BOX LIFTING STATIONS

High quality polyethylene tanks which are extremely versatile (SP) and easy to install. Suitable for collecting clear, rain and wastewater from washing machines, sinks and toilets.

CERTIFICATIONS

IECEX

APPROVED

IECEX is a voluntary system which provides an internationally accepted means of proving compliance with IEC standards. IEC standards are used in many national approval schemes and as such, **IECEX certification** can be used to support national compliance, therefore negating the need in most cases for additional testing. Applicable for Zone 2 hazardous areas.

FIELDS OF APPLICATION

In domestic and residential plumbing systems, the various applications means that a wide range of compatible products is essential for any elevation or decline on site.

Collection tanks and submersible pumps are normally used in the storage, lifting and disposal of liquid waste.

With more than sixty years experience in the water treatment sector, Zenit has created an offering of electric pumps and lifting stations suitable for domestic and residential applications, even in the harshest and most adverse conditions.

These products are made with reliable and durable material of superior quality, built to suit any type of landscape.

Zenit offers a wide range of accessories which enhance their pump functions.



series steel

High-performance, compact stainless steel submersible pumps for optimal service in household installations and small civil plants.

Two different hydraulics are available for maximum flexibility:

- DRENO (DR steel) with multi-channel open impeller for applications with clear or slightly soiled wastewaters. The DR steel is easily converted into a dry floor pump, with suction levels as little as 5mm above ground.
- DRAGA (DG steel) impeller for applications with heavily soiled wastewaters and solid bodies with the free passage of up to 40mm

The cooling system allows these pumps to be used even when only partially submerged. Every model undergoes pressurised testing to guarantee perfect assembly and operation of the gaskets, cable gland and mechanical seals.

Steel models can also be used in emergencies for pumping-out flooding premises or for temporary installations for pumping from wells and tanks.

The DR steel version also provides an excellent lifting station installed inside the nanoBOX tank for the collection and transfer of domestic wastewaters.



CAPACITOR/RELAY

Single-phase models have internal capacitor. Three-phase models have relay for float-switch control of start/stop cycles.

MECHANICAL SEALS

Double silicon carbide seal in oil chamber with food-grade oil lubrication.



V-RING

The V-Ring in direct contact with the liquid protects the mechanical seals from foreign bodies to keep them in good working condition.



IMPELLER

In AISI 304 stainless steel.



FREE PASSAGE

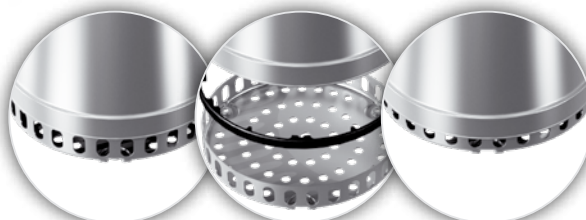
[DG steel]

Free passage up to 40mm.

STRAINER

[DR steel]

The DR steel easily converts from an ordinary submersible pump to a dry floor unit. When operating in this mode, the suction level can be reduced to as little as 5mm above the ground.



HANDLE

In AISI 304 stainless steel with ergonomic, insulating techno-polymer coating.



CABLE GLAND

Cable gland system with dual safety device to prevent disconnection even in case of accidental pulling.

ADJUSTABLE FLOAT SWITCH

Float switch stroke adjustment system for modification of start-stop levels.

DRIVE SHAFT

Integral drive shaft in AISI 431 stainless steel for high strength and to allow use with brine or chlorine.

THERMAL PROTECTION

Dry motor protection with thermal overload.

OIL CHAMBER

Large oil chamber guarantees long mechanical seal lifetime.



STEEL SERIES

DR [DRENO] STAINLESS STEEL SUBMERSIBLE DRAINAGE PUMPS

Suitable for clean water applications containing solids up to 12mm and can be used for draining rooms, emptying tanks, draining water from ponds, streams and pits and also for rainwater collection.

With an electromechanical assembly in AISI304 chrome-nickel steel for submerged operation, the pump is fitted with two opposing mechanical seals in Silicon Carbide and Alumina Graphite in the oil sump with food-grade oil lubrication and a v-ring in direct contact with the liquid. Features a Stainless Steel suction strainer.

The DR steel easily converts from an ordinary submersible pump to a dry floor unit. When operating in this mode, the suction level can be reduced to as little as 5mm above the ground.

SUITABLE FOR:

- Clear or slightly soiled wastewaters
- Pumping-out flooded premises
- Garden sprinklers pumping from tanks

WARRANTY



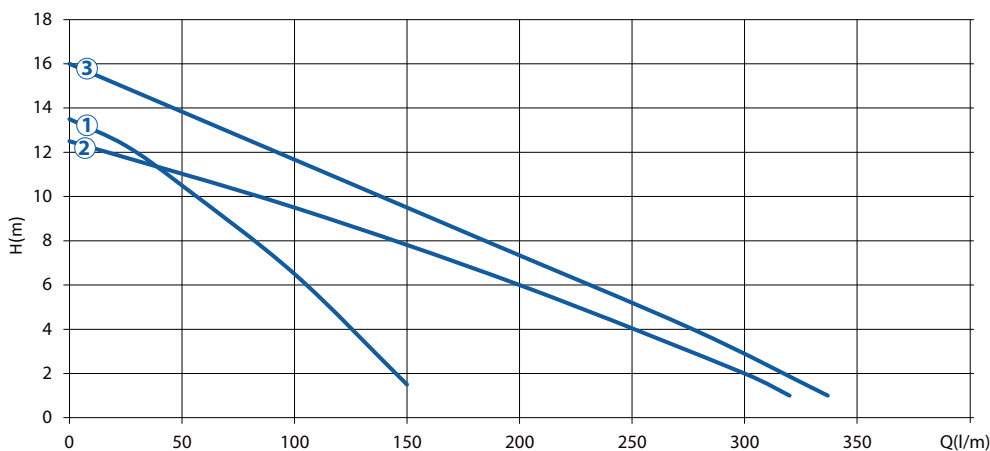
Stainless steel multi-channel open impeller



DR STEEL 37

DR STEEL 75

PERFORMANCE CURVE:



- ① ZEN-DRSTEEL37MA
- ② ZEN-DRSTEEL55MA
- ③ ZEN-DRSTEEL75MA

Part Number	Item Code	kW	HP	Volts	Amps	Max Head (m)	Max Flow (lpm)	Max Solid Size (mm)	Ports
ZEN-DRSTEEL37MA	711352	0.37	0.5	240	3.0	13.6	150	10	1¼" BSPF Out
ZEN-DRSTEEL55MA	711354	0.55	0.75		4.3	12.4	320	12	1½" BSPF Out
ZEN-DRSTEEL75MA	711355	0.75	1.0		5.6	16.0	330		

DG [DRAGA] STAINLESS STEEL SUBMERSIBLE VORTEX PUMPS

The DG series pumps have an impeller for applications with clean or heavily soiled wastewaters and solid bodies of up to 40mm.

The pump can be used for applications such as sewerage plants, livestock farms and hydro-sanitary applications.

With an electromechanical assembly in AISI304 Chrome-Nickel Steel for submerged operation, the pumps feature a large free passage and are fitted with two opposing mechanical seals in Silicon Carbide and Alumina Graphite in the oil sump with food-grade oil lubrication and a v-ring in direct contact with the liquid. Structure in Chrome-Nickel AISI 304 Steel.

SUITABLE FOR:

- Sewerage plants
- Soiled wastewaters with solids
- Lifting stations in small civil plants

WARRANTY

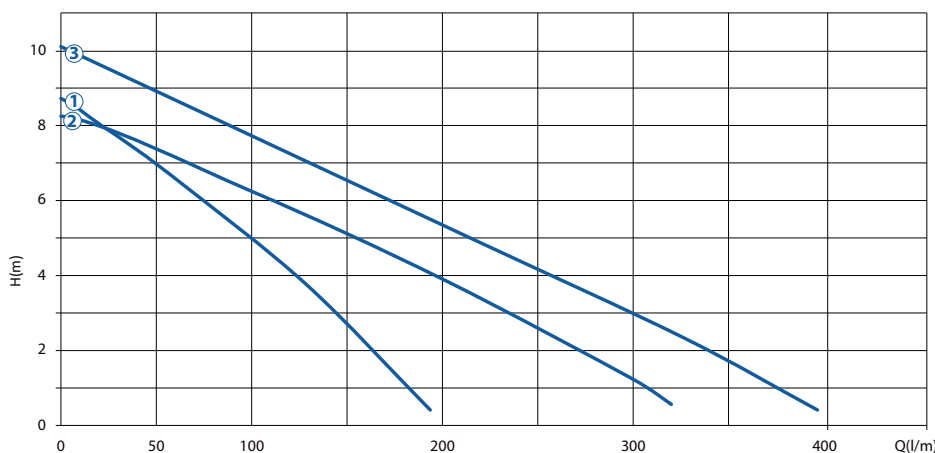


Stainless steel vortex impeller

DG STEEL 37

DG STEEL 75

PERFORMANCE CURVE:



①	ZEN-DGSTEEL37MA
②	ZEN-DGSTEEL55MA
③	ZEN-DGSTEEL75MA

Part Number	Item Code	kW	HP	Volts	Amps	Automatic	Max Head (m)	Max Flow (lpm)	Max Solid Size (mm)	Ports
ZEN-DGSTEEL37MA	711230	0.37	0.5	240	3.1	Yes	8.7	180	25	1¼" BSPF Out
ZEN-DGSTEEL55MA	711231	0.55	0.75		4.3		8.1	330	38	1½" BSPF Out
ZEN-DGSTEEL75MA	711232	0.75	1.0		5.6		10	360		

blue

The **blue Series** is intended mainly for domestic and residential installations and provides compact size and **outstanding** reliability. Two different hydraulics are available:

- **DRENO (DR blue)** with multi-channel open impeller for clear or slightly soiled wastewaters.
- **DRAGA (DG blue)** with vortex impeller and large free passage for pumping wastewaters with heavy soil for use with blueBOX lifting stations.

Meticulous design and the use of high-grade materials allow easy maintenance and make the replacement of parts subject to wear simple and less frequent than on other models in the same price band.

Every model undergoes pressurised testing to guarantee perfect assembly and operation of the gaskets, cable gland and mechanical seals.

blue Series pumps are rugged and reliable, suitable for permanent installations and also ideal for emergency use for pumping-out flooding premises or for temporary installations for pumping from wells and tanks.



PRESSURISED TESTING

Stud bolt for closing the motor compartment for the pressurised testing every model undergoes.



MECHANICAL SEALS

One mechanical seal in Silicon Carbide (SiC) and one mechanical seal in Alumina Graphite (AL), both in oil chamber.



OIL CHAMBER

Guarantees longer mechanical seal lifetime and is easily accessible to simplify maintenance procedures.

V-RING

The V-Ring in direct contact with the liquid protects the mechanical seals from foreign bodies to keep them in good working condition.



FREE PASSAGE

[DG blue]

Full free passage allowing the expulsion of solids of 40mm and preventing fouling of the impeller.



ANTI-CLOGGING SYSTEM

[DR blue]

Stainless Steel diffuser plate. Ensures the expulsion of small suspended solids and prevents fouling of the impeller.

DR [DRENO] BLUE SUBMERSIBLE DRAINAGE PUMPS

Efficient operation submersible drainage pumps with open multi-vane fully submerged technopolymer impeller. Suitable and reliable for domestic or commercial use, including heavy-duty applications such as underground car parks. For use with clear or slightly soiled wastewaters containing small solids, strained water, rainwater, seepage and water pumped from underground.

Anti-stressing system for power cable reduces cable damage and water entry. Cable holder grommet built into handle allows adjustment of float switch cable length. Includes a cast iron pump body for durability, a suction screen to keep out hard solids and an ergonomic plastic carry handle for safety and comfort.

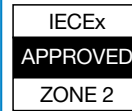
FEATURES:

- Technopolymer suction strainer
- Comes complete with 10m power lead (with 3 pin plug on single-phase pumps) to suit outdoor installations.

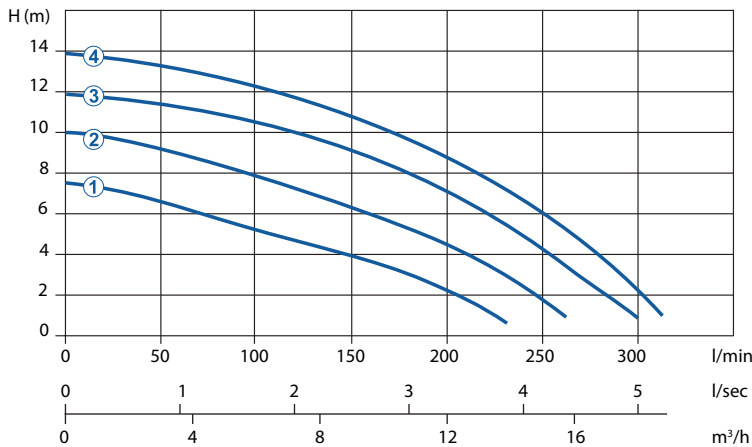
SUITABLE FOR:

- Clean or slightly soiled water containing small solids
- Stormwater dewatering from under houses, yards and ponds
- Groundwater seepage, rainwater collection
- Water features
- Car parks, truck stops, vehicle workshops, bus depots and garages
- Strained, seepage and underground pump-out waters
- Irrigation and pumping from wells and reservoirs

CERTIFICATIONS & WARRANTY



PERFORMANCE CURVE:



①	ZEN-DRBLUE40/2/G32VMEX ZEN-DRBLUE40/2/G32VMGEX
②	ZEN-DRBLUE50/2/G32VMEX ZEN-DRBLUE50/2/G32VMGEX
③	ZEN-DRBLUE75/2/G32VMEX ZEN-DRBLUE75/2/G32VMGEX
④	ZEN-DRBLUE100/2/G32VMEX ZEN-DRBLUE100/2/G32VMGEX

Part Number	Item Code	kW	HP	Volts	Amps	Includes IECEX Float Switch	Max Head (m)	Max Flow (lpm)	Particle Size (mm)	Ports
ZEN-DRBLUE40/2/G32VMEX	800340	0.3	0.4	240	2.3	No	7	230	7	1 1/4" BSPF Out
ZEN-DRBLUE40/2/G32VMGEX	800342				2.3	Yes				
ZEN-DRBLUE50/2/G32VMEX	711287	0.37	0.5		2.8	No	9.5	255		
ZEN-DRBLUE50/2/G32VMGEX	711707				2.8	Yes				
ZEN-DRBLUE75/2/G32VMEX	711290	0.55	0.75		4.1	No	12	300		
ZEN-DRBLUE75/2/G32VMGEX	711708				4.1	Yes				
ZEN-DRBLUE100/2/G32VMEX	711280	0.74	1.0		5.6	No	14.2	320		
ZEN-DRBLUE100/2/G32VMGEX	800343				5.6	Yes				

Accessories

Part Number	Item Code	Description
ZEN-NRVBALL32	711468	Ball Type Non-Return Valve

BLUE SERIES

DG [DRAGA] BLUE SUBMERSIBLE VORTEX PUMPS

Efficient operation submersible cast iron pumps suitable for use with soiled biological wastewaters, sewage in rainwater & seepage. This electric pump is intended for both domestic and commercial use. DG (DRAGA) version with technopolymer vortex recessed impeller to pass soft solids to 40mm diameter. A 10m power lead (with 3 pin plug on single-phase pumps) to suit outdoor installations.

Patented sealing system incorporating dual Silicon Carbide /Graphite Alumina mechanical seals in oil bath for longer seal life. Also includes an anti-stressing system for power cable reduces cable damage and water entry, a cable holder grommet built into handle allows adjustment of float switch cable length, a cast iron pump body for durability, cast iron support base assists in the passage of soft solids to 40mm and an ergonomic technopolymer carry handle for safety and comfort.

FEATURES:

- Techno-polymer multi-channel open impeller
- Techno-polymer suction strainer

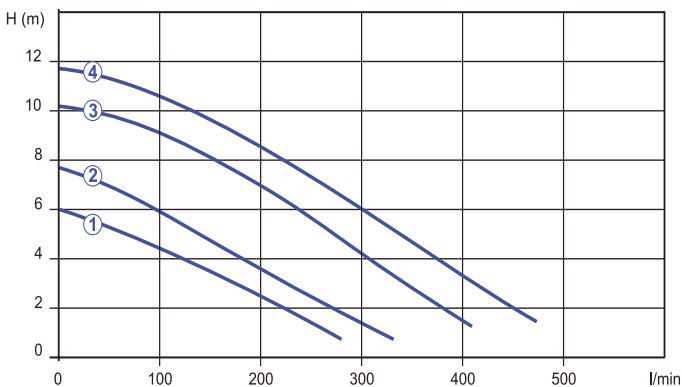
SUITABLE FOR:

- Clean or slightly soiled water containing solids up to 40mm
- Wastewater and sewage
- Stormwater dewatering from under houses, yards and ponds
- Groundwater seepage, rainwater collection
- Water features
- Car parks, truck stops, vehicle workshops, bus depots and garages
- Clear or slightly soiled wastewaters
- Strained, seepage and underground pump-out waters
- Irrigation and pumping from wells and reservoirs

CERTIFICATIONS & WARRANTY



PERFORMANCE CURVE:



①	ZEN-DGBLUE40/2/G40VMEX ZEN-DGBLUE40/2/G40VMGEX
②	ZEN-DGBLUE50/2/G40VMEX ZEN-DGBLUE50/2/G40VMGEX
③	ZEN-DGBLUE75/2/G40VMEX ZEN-DGBLUE75/2/G40VMGEX
④	ZEN-DGBLUE100/2/G40VMEX ZEN-DGBLUE100/2/G40VMGEX

Part Number	Item Code	kW	HP	Volts	Amps	Includes IECEx Float Switch	Max Head (m)	Max Flow (lpm)	Solid Size (mm)	Ports
ZEN-DGBLUE40/2/G40VMEX	800341	0.3	0.4	240	2.3	No	6	280	40	1½" BSPF Out
ZEN-DGBLUE40/2/G40VMGEX	800344				2.3	Yes				
ZEN-DGBLUE50/2/G40VMEX	711174	0.37	0.5		2.8	No	7.6	330		
ZEN-DGBLUE50/2/G40VMGEX	800345				2.8	Yes				
ZEN-DGBLUE75/2/G40VMEX	711177	0.55	0.75		4.1	No	10.1	410		
ZEN-DGBLUE75/2/G40VMGEX	800346				4.1	Yes				
ZEN-DGBLUE100/2/G40VMEX	711168	0.74	1.0		5.6	No	11.6	460		
ZEN-DGBLUE100/2/G40VMGEX	800347				5.6	Yes				

Accessories

Part Number	Item Code	Description
ZEN-CFBLUE40	802785	Discharge Pedestal Suit Blue Professional 40mm
ZEN-NRVBALL40	711469	Ball Type Non-Return Valve

bluePRO

The bluePRO Series is intended for use in applications requiring high performance or prolonged, heavy-duty operation in domestic and residential contexts.

Four different hydraulics are available:

- **DRENO (DR bluePRO)** with multi-channel open impeller for clear or slightly soiled wastewaters
- **DRAGA (DG bluePRO)** with vortex impeller and large free passage for wastewaters with heavy soil
- **GRINDER (GR bluePRO)** with grinding system
- **HIGH HEAD (AP bluePRO)** with multi-channel open impeller and high head

They are designed to provide optimal service with blueBOX lifting stations. Models with vertical discharge have a breather allowing them to be primed without touching the system even after the tank has been completely emptied.

All components are designed to deliver outstanding reliability and ensure quick, easy maintenance.

Every model undergoes pressurised testing to guarantee perfect assembly and operation of the gaskets, cable gland and mechanical seals.

The cast iron structure and double mechanical seal in oil chamber make these models rugged and reliable and suitable for even heavy-duty applications lifting strained or soiled wastewater containing solids or filaments, in domestic and residential installations or small civil plants.



DATAPLATE

Laser-engraved stainless steel dataplate, perfectly legible even after long periods underwater. Slotted in place for easy removal.



FREE PASSAGE

[DG bluePRO]

Full free passage allowing the expulsion of solids up to 50mm and preventing fouling of the impeller.



ANTI-CLOGGING SYSTEM

[DR blue]

Stainless steel diffuser plate ensures the expulsion of small suspended solids and prevents fouling of the impeller.

PRESSURISED TESTING

Stud bolt for closing the motor compartment for the pressurised testing every model undergoes.



OIL CHAMBER

Guarantees longer mechanical seal lifetime and is easily accessible to simplify maintenance procedures.



MECHANICAL SEALS

One mechanical seal in Silicon Carbide (SiC) and one mechanical seal in Alumina Graphite (AL), both in oil chamber.



V-RING

The V-Ring in direct contact with the liquid protects the mechanical seals from foreign bodies to keep them in good working condition.



BLUE PROFESSIONAL SERIES PUMPS

DR [DRENO] BLUE PRO SUBMERSIBLE PUMP

Open Multi-Vane Fully Submerged Impeller. Suitable for use with clear or slightly soiled wastewaters containing small solids, strained water, rainwater, seepage and water pumped from underground, where high pumping rates are required. This electric pump is intended for both domestic and professional use including underground car parks.

Patented sealing system incorporating dual Silicon Carbide mechanical seals in oil bath for longer seal life. Anti-stressing system for power cable reduces cable damage and water entry. Includes a cable holder grommet built into handle which allows adjustment of float switch cable length, and a cast iron pump body for durability. The strainer construction and the particular curvature of the impeller blades allow passage of solid bodies of maximum 15mm.

FEATURES:

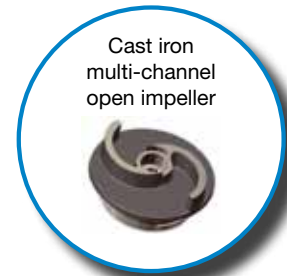
- Comes complete with a 10m power lead (with 3 pin plug on single-phase pumps) to suit outdoor installations.
- Suction strainer
- Includes a built in air bleed valve, a suction screen in stainless steel to keep out hard solids, and an ergonomical Polyglass handle for safety and comfort.

SUITABLE FOR:

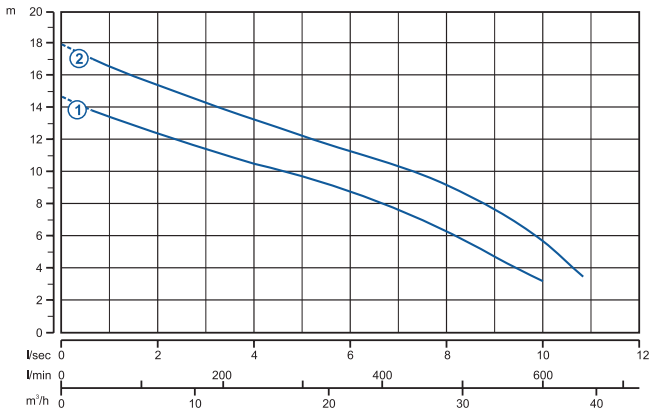
- Clean or slightly soiled water containing small solids
- Stormwater dewatering from under houses, yards and ponds
- Groundwater seepage, rainwater collection
- Water features
- Car parks, truck stops, vehicle workshops, bus depots and garages
- Strained, seepage and underground pump-out waters
- Irrigation and installations requiring high hydraulic performances

CERTIFICATIONS & WARRANTY

IECEX
APPROVED
ZONE 2



PERFORMANCE CURVE:



①	ZEN-DRBLUEP150/2/G50VMEX ZEN-DRBLUEP150/2/G50VMGEX ZEN-DRBLUEP150/2/G50VTEX
②	ZEN-DRBLUEP200/2/G50VMEX ZEN-DRBLUEP200/2/G50VMGEX ZEN-DRBLUEP200/2/G50VTEX

Part Number	Item Code	kW	HP	Volts	Amps	Includes IECEX Float Switch	Max Head (m)	Max Flow (lpm)	Solid Size (mm)	Ports
ZEN-DRBLUEP150/2/G50VMEX	711294	1.1	1.5	240	7.5	No	14.4	600	10 x 30	2" BSPF Out
ZEN-DRBLUEP150/2/G50VMGEX	711709				7.5	Yes				
ZEN-DRBLUEP150/2/G50VTEX*	711297			3.2	No					
ZEN-DRBLUEP200/2/G50VMEX	711298	1.5	2.0	240	10.0	No	17	690		
ZEN-DRBLUEP200/2/G50VMGEX	711710				10.0	Yes				
ZEN-DRBLUEP200/2/G50VTEX*	711301			4.3	No					

*3 phase pumps require contactor and overload.

Accessories

Part Number	Item Code	Description
ZEN-CFBLUE50MM	802109	Discharge Pedestal To Suit Blue Professional 50mm
ZEN-NRVBALL50	711470	Ball Type Non-Return Valve

BLUE PROFESSIONAL SERIES PUMPS

DG [DRAGA] BLUE PRO VORTEX PUMP

Submersible Cast Iron Pumps suitable for heavy-duty applications with soiled biological wastewaters, sewage, rainwater and seepage. This electric pump is intended for both domestic and professional use and is suitable for use in underground car parks.

Patented sealing system incorporating dual Silicon Carbide mechanical seals in oil bath for longer seal life. Anti-stressing system for power cable reduces cable damage and water entry. Includes a cable holder grommet built into handle which allows adjustment of float switch cable length, and a cast iron pump body for durability. The cast iron support base and the particular curvature of the impeller blades allow passage of solid bodies of maximum 50mm.

FEATURES:

- Comes complete with a 10m power lead (with 3 pin plug on single-phase pumps) to suit outdoor installations.
- Includes a built in air bleed valve and an Polyglass handle for safety and comfort.
- Cast iron vortex impeller
- Full free passage

SUITABLE FOR:

- Clean or slightly soiled water containing solids up to 50mm
- Wastewater and sewage
- Stormwater dewatering from under houses, yards and ponds
- Groundwater seepage, rainwater collection
- Water features
- Car parks, truck stops, vehicle workshops, bus depots and garages
- Lifting stations in civil and residential plants



CERTIFICATIONS & WARRANTY

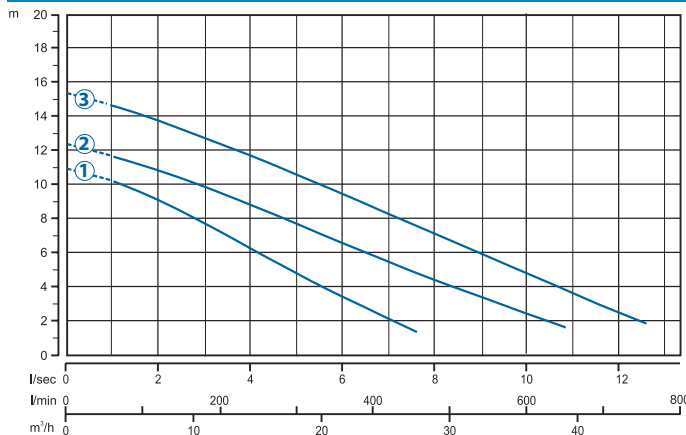
IECEX
APPROVED
ZONE 2



Cast iron
multi-channel
open impeller



PERFORMANCE CURVE:



①	ZEN-DGBLUEP100/2/G40VTEX
②	ZEN-DGBLUEP150/2/G50VMEX ZEN-DGBLUEP150/2/G50VMGEX ZEN-DGBLUEP150/2/G50VTEX
③	ZEN-DGBLUEP200/2/G50VMEX ZEN-DGBLUEP200/2/G50VMGEX ZEN-DGBLUEP200/2/G50VTEX

Part Number	Item Code	kW	HP	Volts	Amps	Includes IECEX Float Switch	Max Head (m)	Max Flow (lpm)	Solid Size (mm)	Ports
ZEN-DGBLUEP100/2/G40VTEX*	711181	0.74	1.0	415	2.15	No	11.4	460	40	1-½" BSPF Out
ZEN-DGBLUEP150/2/G50VMEX	711182	1.1	1.5	240	7.5					
ZEN-DGBLUEP150/2/G50VMGEX	711704				7.5	Yes	12.3	650	50	
ZEN-DGBLUEP150/2/G50VTEX*	711185	415	3.2	No						
ZEN-DGBLUEP200/2/G50VMEX	711186	1.5	2.0	240	10.0	Yes	15.3	750	2" BSPF Out	
ZEN-DGBLUEP200/2/G50VMGEX	711705				10.0					
ZEN-DGBLUEP200/2/G50VTEX*	711189				415	4.3	No			

*3 phase pumps require contactor and overload.

Accessories

Part Number	Item Code	Description
ZEN-CFBLUE50MM	802109	Discharge Pedestal To Suit Blue Professional 50mm
ZEN-NRVBALL50	711470	Ball Type Non-Return Valve

BLUE PROFESSIONAL SERIES PUMPS

GR BLUE PRO SUBMERSIBLE GRINDER PUMP

GR bluePRO models incorporate a grinding system comprising a revolving three-bladed knife rigidly mounted on the drive shaft and a steel plate with sharp edged holes. This system, capable of speeds of up to 69,000 cuts per minute, finely chops filaments and expels them along the discharge pipeline with no risk of impeller jamming, also keeping the pipeline clean. Cast iron construction guarantees low vibration and excellent reliability. This electric pump is intended for both domestic and professional use and is suitable for underground car parks. Used for the lifting and transfer of heavily soiled wastewaters, sewage and civil and industrial wastewaters, even on narrow pipelines.

Submersible electric pumps with high head cast iron impeller and cutter, with 69,000 cuts per minute. The GR models are equipped with an intake cutting system composed of a steel plate and a triangular rotary cutter. The system cuts fibres and stringy bodies and assures smooth pump functioning. Patented sealing system incorporating dual Silicon Carbide mechanical seals in oil bath for longer seal life.

FEATURES:

- Comes complete with a 10m power lead (with 3 pin plug on single-phase pumps) to suit outdoor installations, an anti-stressing system for power cable reduces cable damage and water entry.
- Grinding system with three-blade rotary knife
- Includes a cable holder grommet built into handle to allow adjustment of float switch cable length, a cast iron pump body and support base for durability and an ergonomical Polyglass handle for safety and comfort.

SUITABLE FOR:

- Sewage systems in households, strat corporations & construction sites
- Soiled waters containing fibres and filaments
- Unstrained civil wastewaters
- Lifting stations in civil and residential plants



CERTIFICATIONS & WARRANTY

IECEX
APPROVED
ZONE 2

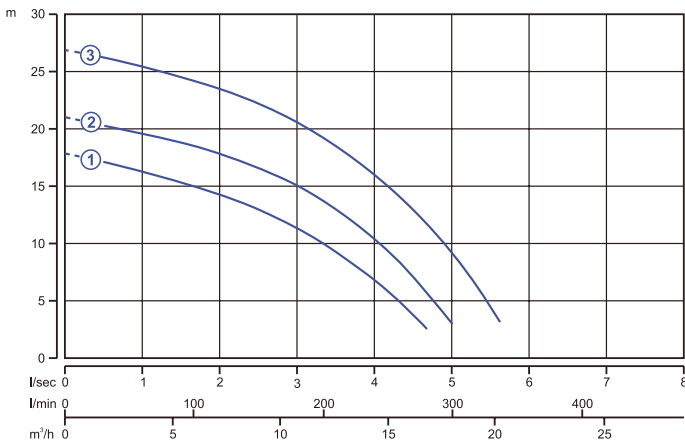


Cast iron multi-channel open impeller



NEVER FLUSH WIPES

PERFORMANCE CURVE:



①	ZEN-GRBLUEP100/2/40HMEX ZEN-GRBLUEP100/2/G40HMGEX ZEN-GRBLUEP100/2/G40HTEX
②	ZEN-GRBLUEP150/2/G40HMEX ZEN-GRBLUEP150/2/G40HMGEX ZEN-GRBLUEP150/2/G40HTEX
③	ZEN-GRBLUEP200/2/G40HMEX ZEN-GRBLUEP200/2/G40HMGEX ZEN-GRBLUEP200/2/G40HTEX

Part Number	Item Code	kW	HP	Volts	Amps	Includes IECEX Float Switch	Max Head (m)	Max Flow (lpm)	Ports
ZEN-GRBLUEP100/2/G40HMEX	711420	0.74	1.0	240	5.5	No	18	280	1½" BSPF Outlet
ZEN-GRBLUEP100/2/G40HMGEX	711713				5.5	Yes			
ZEN-GRBLUEP100/2/G40HTEX*	711423				2.7	No			
ZEN-GRBLUEP150/2/G40HMEX	711424	1.1	1.5	240	7.5	No	21.1	300	
ZEN-GRBLUEP150/2/G40HMGEX	711714				7.5	Yes			
ZEN-GRBLUEP150/2/G40HTEX*	711427				3.2	No			
ZEN-GRBLUEP200/2/G40HMEX	711428	1.5	2.0	240	10.0	No	27	340	
ZEN-GRBLUEP200/2/G40HMGEX	711715				10.0	Yes			
ZEN-GRBLUEP200/2/G40HTEX*	711431				4.3	No			

*3 phase pumps require contactor and overload.

Accessories

Part Number	Item Code	Description
ZENIT-CLAW	807150	Adaptor to suit Grundfos SEG rail system
ZEN-FLT2	711391	Adaptor to suit Flygt rail system
ZEN-CF50V	711149	Coupling Device with Vertical Outlet
ZEN-NRVBALL40	711469	Ball Type Non-Return Valve
ZEN-NRVBALL50	711470	

BLUE PROFESSIONAL SERIES PUMPS

AP [ALTA PREVALENZA] BLUE PRO SUBMERSIBLE HIGH HEAD PUMPS

Used for clear wastewater, rainwater and seepage containing small amounts of sand. Its high head makes this series suitable for the creation of water features and decorative fountains.

Submersible electric pumps with high head cast iron impeller. The AP models can be used in treatment of slightly soiled waters with small solid bodies.

The intake strainer allows free passage up to 6mm. Flanged and threaded delivery outlet for maximum installation versatility. Patented sealing system incorporating dual Silicon Carbide mechanical seals in oil bath for longer seal life. An anti-stressing system for power cable, reduces cable damage and water entry. Includes a cable holder grommet built into handle allows adjustment of float switch cable length, a cast iron pump body and support base for durability and ergonomic Polyglass handle for safety and comfort.

FEATURES:

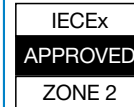
- Cast iron multi-channel open impeller
- High manometric head
- 10m power lead (with 3 pin plug on single-phase pumps) to suit outdoor installations.

SUITABLE FOR:

- Domestic & professional use
- Underground car parks
- Mainly clean liquids, or liquids with small solids or sand
- Slightly sandy seepage waters
- Ideal for construction of fountains and water features

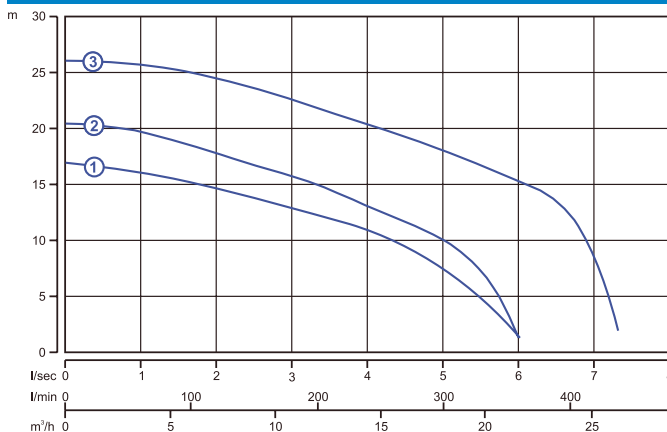


CERTIFICATIONS & WARRANTY



Cast iron multi-channel open impeller

PERFORMANCE CURVE:



①	ZEN-APBLUEP100/2/G40HMEX ZEN-APBLUEP100/2/G40HMGEX ZEN-APBLUEP100/2/G40HTEX
②	ZEN-APBLUEP150/2/G40HMEX ZEN-APBLUEP150/2/G40HMGEX ZEN-APBLUEP150/2/G40HTEX
③	ZEN-APBLUEP200/2/G40HMEX ZEN-APBLUEP200/2/G40HMGEX ZEN-APBLUEP200/2/G40HTEX

Part Number	Item Code	kW	HP	Volts	Amps	Includes IECEx Float Switch	Max Head (m)	Max Flow (lpm)	Solid Size (mm)	Ports
ZEN-APBLUEP100/2/G40HMEX	711093	0.74	1.0	240	5.5	No	17.3	360	6	1½" BSPF Outlet
ZEN-APBLUEP100/2/G40HMGEX	711697				5.5	Yes				
ZEN-APBLUEP100/2/G40HTEX*	711096				2.7	No				
ZEN-APBLUEP150/2/G40HMEX	711097	1.1	1.5	240	7.5	20.9				
ZEN-APBLUEP150/2/G40HMGEX	711698				7.5		Yes			
ZEN-APBLUEP150/2/G40HTEX*	711100				3.2		No			
ZEN-APBLUEP200/2/G40HMEX	711101	1.5	2.0	240	10.0	26.6	420			
ZEN-APBLUEP200/2/G40HMGEX	711699				10.0			Yes		
ZEN-APBLUEP200/2/G40HTEX*	711104				4.3			No		

*3 phase pumps require contactor and overload.

Accessories

Part Number	Item Code	Description
ZEN-CF50V	711149	Coupling Device With Vertical Outlet
ZEN-NRVBALL50	711470	Ball Type Non-Return Valve
ZEN-NRVBALL40	711469	
ZEN-FLT2	711391	Flygt Adaptor 2", 3/4" Guide Rails

E Series

Lightweight, reliable cast iron **submersible** pumps.

Hydraulics available are:

- **DRENO (DRE)** with multi-channel open impeller for clear or slightly soiled wastewaters
- **DRAGA (DGE)** with vortex impeller and large free passage for wastewaters with heavy soil

The compact size and horizontal discharge allow any installation, even in existing plants or small pits.

Every model undergoes pressurised testing to guarantee perfect assembly and operation of the gaskets, cable gland and mechanical seals.

E Series models are suitable mainly for permanent installations, yet they can also be used in emergencies for pumping-out flooding premises or for temporary installations for pumping from wells and tanks.

Intended mainly for domestic use, these pumps are recommended for pressurising small plants, for garden sprinkler systems, for supplying fountains, for emptying swimming-pools or tanks and for pumping out flooded cellars or garages.



FREE PASSAGE [DRE]

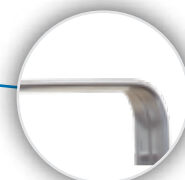
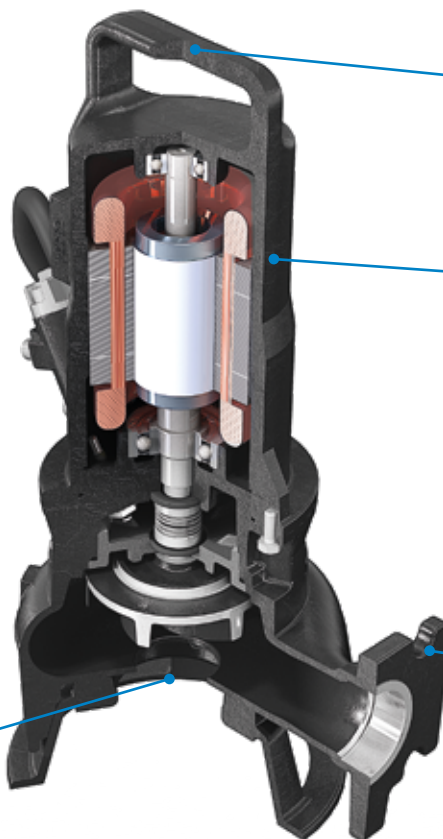
Ample free passage allowing the expulsion of solids and preventing fouling of the impeller.



ANTI-CLOGGING SYSTEM

[DRE]

The specifically shaped hydraulics ensure the expulsion of small suspended solids and prevent fouling of the impeller.



HANDLE

Stainless steel lifting and carrying hands.



CASE

Rugged cast iron construction



DISCHARGE PORT

Wide range of models with vertical or horizontal discharge, with threaded or flanged connections for absolutely flexible installation.

E-SERIES DRAINAGE PUMPS

DRE - [DRENO] CAST IRON SUBMERSIBLE DRAINAGE PUMPS

Can be used with clear or slightly soiled waste waters containing small solids, strained water, rainwater, seepage and water pumped from underground.

FEATURES:

- Stainless steel suction strainer
- Ecological dry motor
- Free passage 10x20mm
- 240V or 415V pumps with horizontal outlets
- 10m H07RN-F power cable
- Easy to install and are equipped with or without float switches

SUITABLE FOR:

- Domestic & industrial applications
- Ideal for pumping clean or dirty water without solids
- Garden sprinklers and pumping from tanks



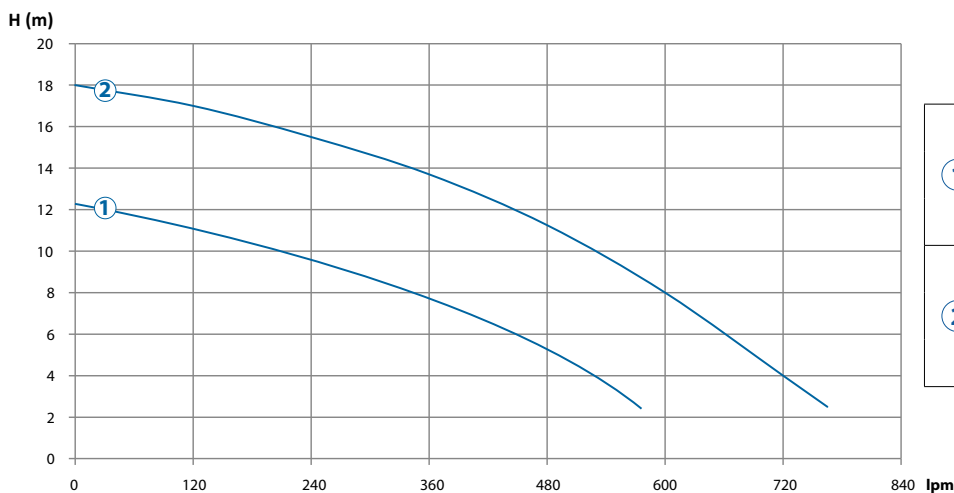
WARRANTY



Cast iron multi-channel open impeller



PERFORMANCE CURVE:



①	ZEN-DRE100/2/G50HMSIC
	ZEN-DRE100/2/G50HMGSIC
	ZEN-DRE100/2/G50HTSIC
②	ZEN-DRE200/2/G50HMSIC
	ZEN-DRE200/2/G50HMGSIC
	ZEN-DRE200/2/G50HTSIC

Part Number	Item Code	kW	HP	Volts	Includes Float Switch	Max Head (m)	Max Flow (lpm)	Solid Size (mm)	Ports
ZEN-DRE100/2/G50HMSIC	711306	0.88	1.2	240	No	12.5	580	15	2" BSPF Outlet
ZEN-DRE100/2/G50HMGSIC	711305			240	Yes				
ZEN-DRE100/2/G50HTSIC	711309			415	No				
ZEN-DRE200/2/G50HMSIC	711318	1.5	2.0	240	No	18.1	760	15	2" BSPF Outlet
ZEN-DRE200/2/G50HMGSIC	711317			240	Yes				
ZEN-DRE200/2/G50HTSIC	711320			415	No				

E-SERIES DRAINAGE PUMPS

DGE - [DRAGA] CAST IRON SUBMERSIBLE VORTEX PUMPS

Heavy duty cast iron submersible vortex pumps suitable for use in domestic applications with slightly soiled biological wastewaters and sewage.

FEATURES:

- Cast iron vortex impeller
- Large free passage
- Recessed vortex type cast iron impeller
- Ecological dry motor
- 240V or 415V pumps with vertical or horizontal outlets
- 10m H07RN-F power cable
- Easy to install and are equipped with or without float switches

SUITABLE FOR:

- Domestic & industrial applications
- Ideal for pumping clean or dirty water with solids up to 50mm such as pits and sewers
- Sewage
- Soiled wastewaters with solids
- Lifting stations in civil and residential plants



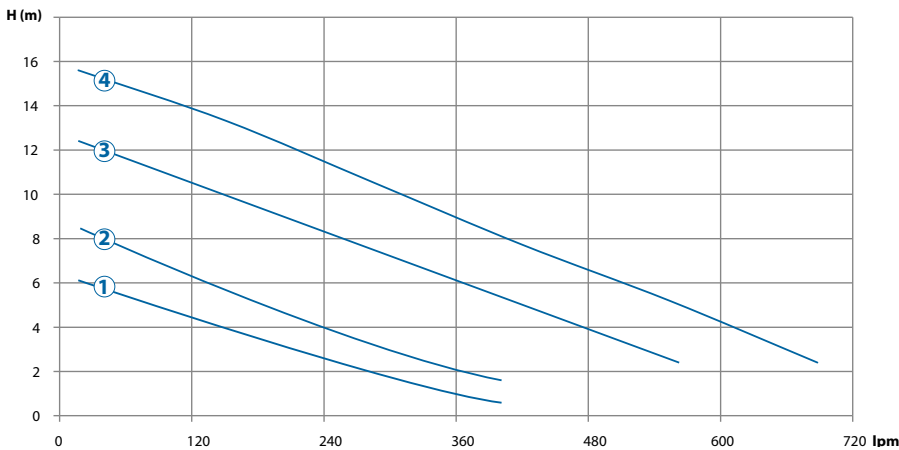
WARRANTY



Cast iron vortex impeller



PERFORMANCE CURVE:



①	ZEN-DGE50/2/G50HMSIC ZEN-DGE50/2/G50HMGSIC
②	ZEN-DGE75/2/G50HMSIC ZEN-DGE75/2/G50HMGSIC
③	ZEN-DGE100/2/G50HMSIC ZEN-DGE100/2/G50HMGSIC ZEN-DGE100/2/G50HTSIC
④	ZEN-DGE200/2/G50HMSIC ZEN-DGE200/2/G50HMGSIC ZEN-DGE200/2/G50HTSIC

Part Number	Item Code	kW	HP	Volts	Includes Float Switch	Max Head (m)	Max Flow (lpm)	Particle Size (mm)	Ports
ZEN-DGE50/2/G50HMSIC	711214	0.37	0.5	240	No	6	390	40	2" BSPF Outlet
ZEN-DGE50/2/G50HMGSIC	711213				Yes				
ZEN-DGE75/2/G50HMSIC	711220	0.55	0.75		No	8.1			
ZEN-DGE75/2/G50HMGSIC	711219				Yes				
ZEN-DGE100/2/G50HMSIC	711193	0.88	1.2	415	No	12.5	510		
ZEN-DGE100/2/G50HMGSIC	711192				Yes				
ZEN-DGE100/2/G50HTSIC*	711196			No					
ZEN-DGE200/2/G50HMSIC	711204	1.5	2.0	240	No	15.5	700		
ZEN-DGE200/2/G50HMGSIC	711203				Yes				
ZEN-DGE200/2/G50HTSIC*	711207			No					

*3 phase pumps require contactor and overload.

E-SERIES DRAINAGE PUMPS

SME - DRAINAGE - SINGLE CHANNEL CLOSED IMPELLER PUMPS

High efficiency pump suitable for pumping storm water, waste water in small sewer systems, livestock farms, the food industry, agriculture and irrigation. Cast Iron construction with Stainless Steel handle and one silicon mechanical seal.

FEATURES:

- AISI 304 stainless steel lifting and carrying handle
- Constructed in GJL-250 cast iron
- One mechanical seal in silicon carbide (SiC) and one lip seal
- Single-phase models with internal capacitor. Three-phase models with motor protection relay
- Ecological dry motor with thermal protections
- Wide free passage allowing the expulsion of solids and preventing fouling of the impeller

SUITABLE FOR:

- Permanent installations yet, thanks to their convenience and ease of handling, they can also be used in emergencies for pumping-out flooding premises or for temporary installations for pumping from wells and tanks.
- Pressurising small plants, garden sprinkler systems or supplying fountains
- For emptying swimming-pools, tanks and for pumping out flooded cellars or garages.



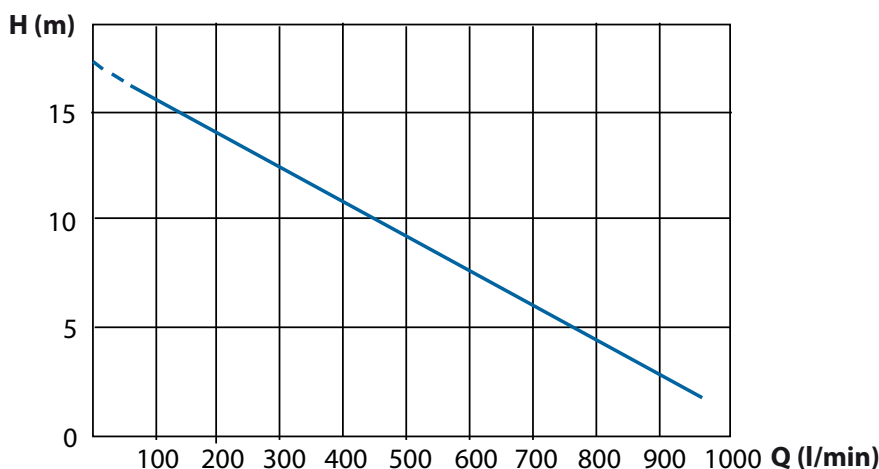
WARRANTY



Single channel closed impeller



PERFORMANCE CURVE:



① ZEN-SME200/2/2-80HM
ZEN-SME200/2/2-80HT

Part Number	Item Code	kW	HP	Volts	Includes Float Switch	Max Head (m)	Max Flow (lpm)	Outlet
ZEN-SME200/2/2-80HM	711509	1.5	2.0	240	No	16.8	960	DN 80mm/2" BSPF
ZEN-SME200/2/2-80HT*	711510			415				

*3 phase pumps require contactor and overload.

series Grey

The Zenit Grey series is a new solution for pumping clear wastewaters and black waters in a variety of sectors from civil, residential and industrial applications.

Zenit Grey pumps feature cleverly redesigned hydraulics and motors to guarantee high performance, low consumption and outstanding versatility. These all translate to greater product efficiency, impeccable reliability and lower operating costs.

Motors: from 1.5 to 18.5 kW operating at 50 and 60 Hz double mechanical seal in oil chamber

Hydraulics: channel (DRG) & grinding (GRG)



EFFICIENCY

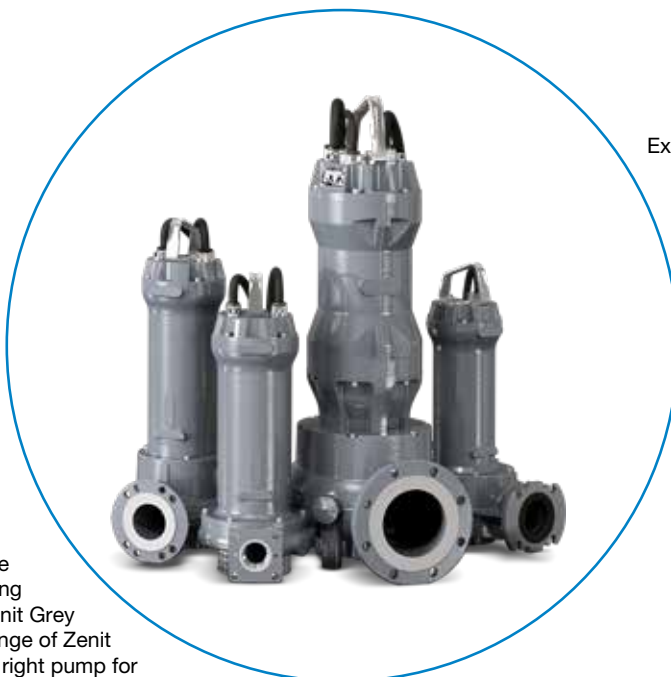
The Zenit Grey series features and cleverly designed internal hydraulics coupled with premium quality materials to create a range that delivers exceptional performance every time.



ECONOMICAL

Designed to be suitable for a diverse range of applications, sizing, installing and maintaining pumps from the Zenit Grey series is quick. A comprehensive range of Zenit Grey pumps means that finding the right pump for your application is economical and easy.

+ Selected models only



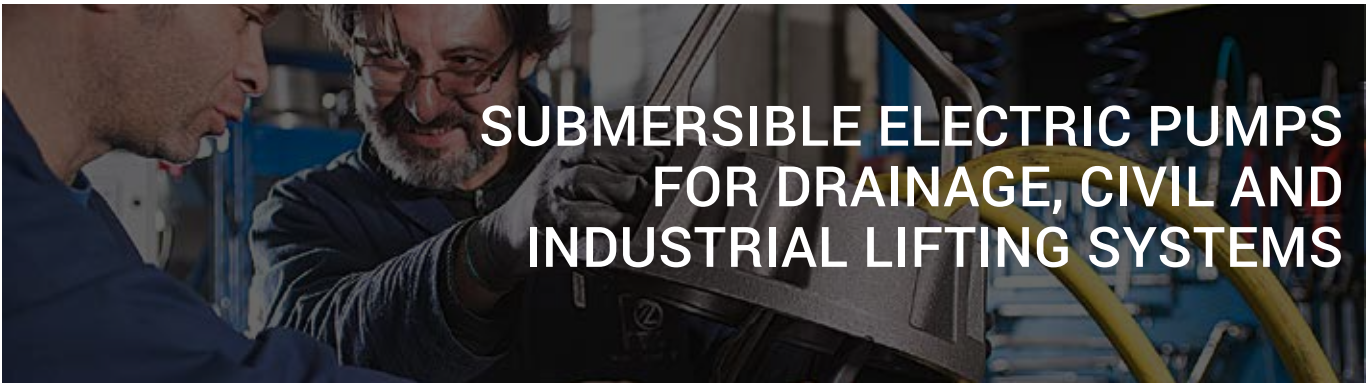
RELIABILITY

Exceptionally reliable, Zenit Grey series pumps require far fewer repairs, making it low maintenance. With improved internal hydraulics, running costs are lower meaning less inconvenience and more effective service scheduling.



SIMPLICITY

Easy to maintain and repair, the simplicity of the Zenit Grey series make them the ideal option for installation in new pump setups as well as upgrades to existing ones.



SUBMERSIBLE ELECTRIC PUMPS FOR DRAINAGE, CIVIL AND INDUSTRIAL LIFTING SYSTEMS

HANDLE

Rugged stainless steel lifting and carrying handle

FREE PASSAGE (DGG)

Ample free passage allowing the expulsion of solids and preventing fouling of the impeller. Up to 70mm⁺

CABLE GLAND

The universal GAS thread of the cable gland is able to take a sheathing pipe to protect the power cable from mechanical or chemical damage due to turbulence or the aggressive nature of the liquid.

MOTOR SHAFT

Motor shaft in AISI 431 stainless steel. Connection to impeller via tapered coupling.

OIL CHAMBER

Large, inspectable oil chamber to guarantee longer mechanical seal lifetime. Includes a leakage detection sensor.

PRESSURISED TESTING

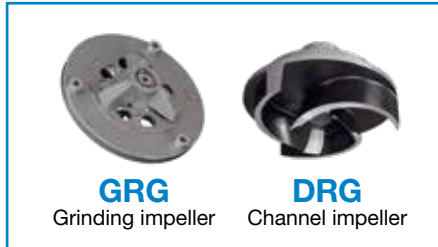
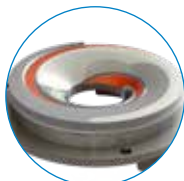
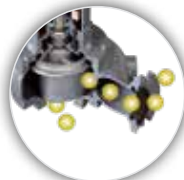
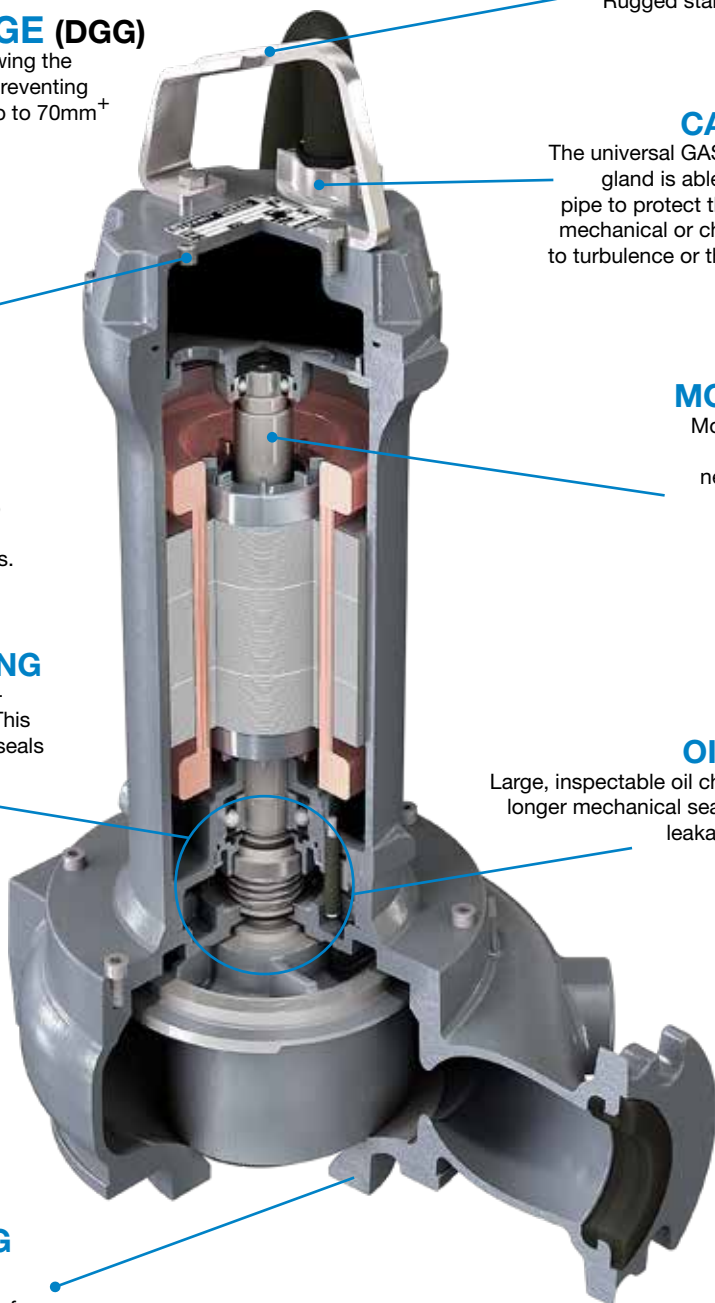
Every model undergoes pressurised testing to guarantee perfect assembly and operation of the gaskets, cable gland and mechanical seals.

MECHANICAL SEALS + V-RING

Twin mechanical seals in Silicon Carbide (SiC-SiC) enclosed in an inspectable oil chamber. This prevents all contact between the mechanical seals and any solids or filaments in the wastewater.

ANTI-CLOGGING SYSTEM (DR) (GR)

The special conformation of the hydraulic part ensures the expulsion of solids and prevents fouling of the impeller.



GRG
Grinding impeller

DRG
Channel impeller

TREATMENT PLANTS

A treatment plant is a highly complex system. Its design requires exceptional expertise, consolidated experience and reliable and suitable products for the application.

Each stage of the treatment process requires clearly defined and carefully monitored conditions to allow the multiplication of bacteria, which carries out biological treatment of wastewater.

The Zenit Grey series has been developed with these considerations in mind and with an impeccable degree of precision, is capable of delivering consistent and reliable results in any phase in the wastewater treatment process, from initial lifting to surface transfer.

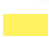
From waste water collection through to sludge treatment, the Zenit Grey series has been designed to support the wastewater treatment process with unwavering reliability and efficiency.

- 1 Intermediate transfer: DRG
- 2 Flow divider: DRG
- 3 Secondary sedimentation: DRG
- 4 Final transfer: DRG
- 5 Anaerobic sludge digestion: DRG



DEVELOPMENT OF THE ZENIT RANGE FOR GLOBAL WATER TREATMENT

Domestic / Residential	0.25 ÷ 1.5 kw	→	steel	blue
Civil / Light Industrial	0.37 ÷ 1.5 kw	1.5 ÷ 18.5 kw	→	Grey
Professional / Wastewater Treatment / Heavy Industrial	1.8 ÷ 355kw	→	Black	UNIQA

 Under development

Zenit Grey pumps are suitable for a wide range of civil applications; including:

- Hospitals
- Hotels
- Shopping centres
- Airports
- Sports facilities
- Offices
- Schools

Increasingly, extreme weather events have increased the demand for reliable, high-performance solutions capable of transferring rainwater and wastewater containing not only solid and fibrous materials but also chemicals and abrasive substances.

By combining expertise in the design of civil plants with premium quality products, Zenit have developed a range of industrial solutions capable of satisfying the requirements of design engineers and installers, as well as the most stringent governmental laws and regulations.

- 1 Pumping stations for handling the sewage from toilets in public locations - heavy duty (hospitals, sports grounds, airports): DRG, GRG
- 2 Lifting from first rainfall tanks of parks, leisure areas and car-parks (hospitals, sports grounds, shopping centres, schools): DRG
- 3 Lifting residential and other civil sewage: DRG
- 4 Collection and lifting of wastewater from the toilets and kitchens of Ho.Re.Ca. businesses (hotels, camp-sites, restaurants bars): GRG, DRG
- 5 Drainage of rainwater and groundwater (underpasses, tunnels, stations, airports): DRG
- 6 Disposal of water containing detergents and hydrocarbons: (car washes, service stations): DRG
- 7 Water drainage from fuel storage areas (airports, service stations): DRG



ZENIT GREY SERIES

The Zenit Grey series features engineered hydraulics and motors, guaranteeing high performance, low power consumption and outstanding versatility.

The range incorporates models with **50 and 60 Hz single-phase and three-phase motors ranging from 1.5 to 18.5 kW.**

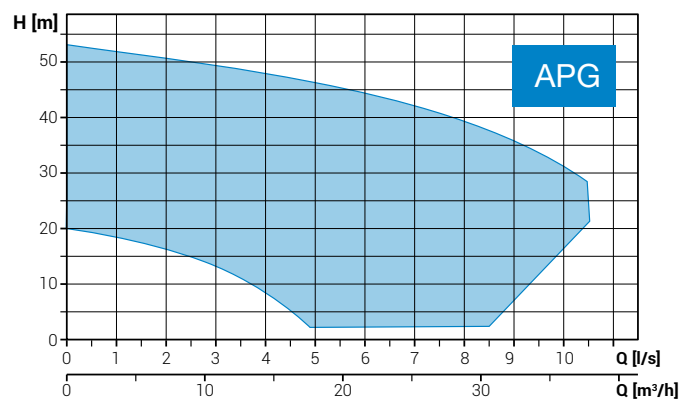
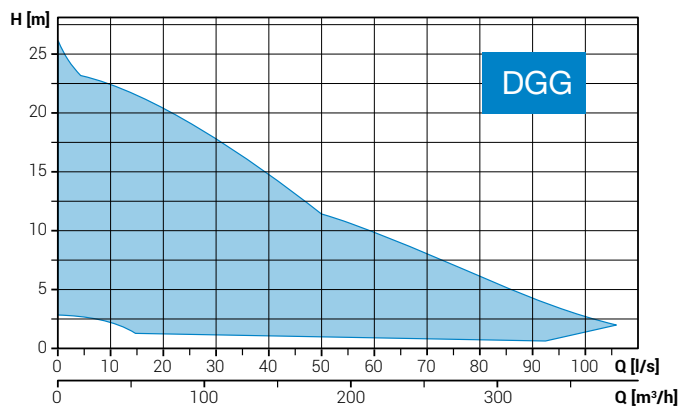
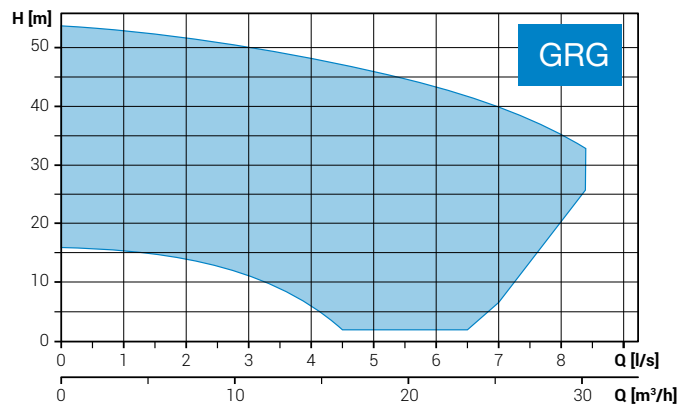
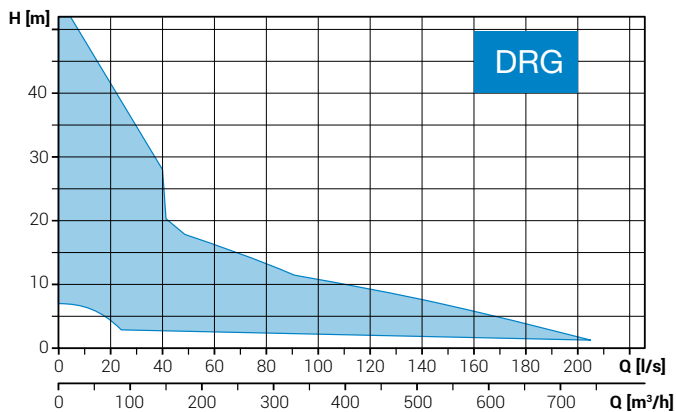
A double mechanical seal in an oil chamber guarantees a high level of reliability even when used with heavily soiled wastewater over an extended period.

A diverse range of Impeller types are available to satisfy a wide variety of application requirements, from small domestic lifting stations to civil and industrial treatment plants:

- Channel (DRG)
- Grinding (GRG)



OVERVIEW OF OPERATING RANGES



CONSTRUCTION MATERIALS

Motor casing	Cast iron GJL-250
Impeller	Cast iron GJL-250
Mechanical seals	Two in silicon carbide (2SiC)
Nuts and bolts	Stainless steel - class A2-70
Standard gaskets	NBR
Drive shaft	AISI 431 Stainless Steel
Chopper knife	Chromium steel (GRG)
Painting	Bicomponent epoxy paint with high resistance to corrosion

OPERATING SPECIFICATIONS

Max operating temperature	40°C
pH of liquid	6 ÷ 14
Liquid viscosity	1 mm²/s
Max submergence	20 m
Liquid density	1 kg/dm³
Max acoustic pressure	<70 dB
Max. starts/hour	20 (<10 kW) 15 (>10 kW)

The data provided are not binding. Zenit reserves the right to modify any product without notice.

Motor	dry
Power	0.37 ÷ 18.5 kW
Pump material	
Cast iron	●
Steel	-
Bronze	-
Impeller material	
Cast iron	●
Steel	-
Bronze / Aluminium	-
Intended Use	
Clear/slightly soiled wastewaters	DR
Heavily soiled wastewaters with solids	DR / DG
Wastewaters containing filaments	GR
Discharge	
Vertical discharge	●
Horizontal discharge	●
Phases	
Single-phase	●
Three-phase	●
Installation	
Submerged	●
Dry	-
Specific certifications	
ATEX / SASO	-



Versatile, efficient and durable, the Zenit Grey series has been engineered to deliver efficient results across a wide range of applications.

GREY SERIES

DRG - INDUSTRIAL DRAINAGE ATEX SUBMERSIBLE PUMPS

Suitable for use in applications that have unstrained soiled biological wastewaters and sewage and also for civil lifting applications.

The DRG can be used in wastewater treatment plants, sewer systems, livestock farms, industry and agriculture. Cast Iron construction with 2 opposed Silicon Carbide mechanical seals in an inspectable oil sump, anticlogging system. Suitable for use in underground car parks. ATEX certified Ex d.

SUITABLE FOR:

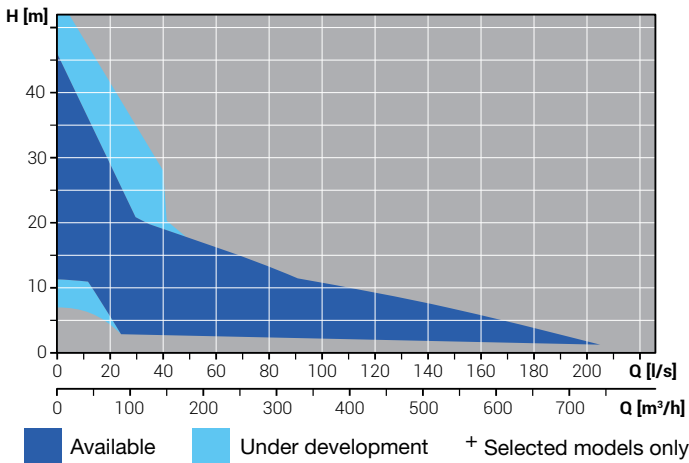
- Recirculation of industrial and process waters
- Civil lifting
- Drainage and lifting of water from first rainfall tanks

CERTIFICATIONS & WARRANTY

IECEX
APPROVED
ZONE 1



DRG PERFORMANCE CURVE



AUSTRALIAN MODELS

Part Number	Item Code	kW	HP	Volts	Poles	Includes Float Switch	Max Head (m)	Max Flow (lps)	Outlet (mm)	Ring Stand Required
ZEN-DRG250/2/80HLOATEX	807383	1.8	2.4	415	2	No	15.6	25.1	DN 80	ZENS9024.010
ZEN-DRG300/2/80HEOETEX	807384	2.2	3.0				17.1	25.5		ZENS9024.010
ZEN-DRG400/2/80HEOETEX	807385	3.0	4.0				21.2	28.6		ZENS9024.010
ZEN-DRG550/2/80HB0FTEX	807386	4.0	5.5				16.7	36.8		ZENS9024.006
ZEN-DRG750/2/80HA0FTEX	807387	5.5	7.5				25.1	41.2		ZENS9024.006
ZEN-DRG1000/2/80HA0FTEX	807388	7.5	10.0				34.9	45.1		ZENS9024.006
ZEN-DRG200/4/80HMOETEX	807389	1.5	2.0				8.2	25.8		ZENS9024.007
ZEN-DRG300/4/80HGOETEX	807390	2.2	3.0				12.1	32.3		ZENS9024.007
ZEN-DRG400/4/80HHOETEX	807391	3.0	4.0	13.9	34.8	ZENS9024.007				
ZENS9024.006	711487	Ring Stand								
ZENS9024.010	805879									
ZENS9024.007	711488									

3 phase pumps require contactor and overload.

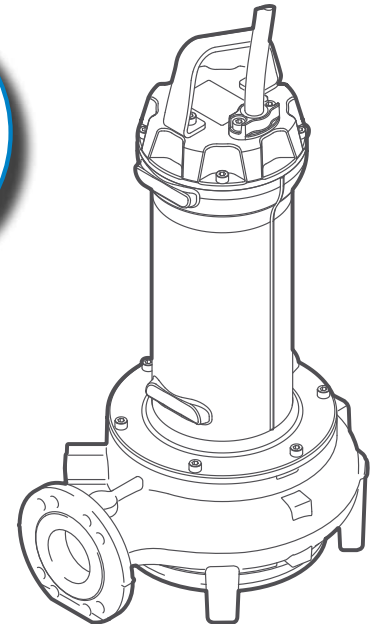
NEW ZEALAND MODELS

Part Number	Item Code	kW	HP	Volts	Poles	Max Head (m)	Max Flow (lps)	Outlet (mm)	Ring Stand Required	
ZEN-DRG300/2/65HT A0ET	805621	2.2	3.0	415	2	16.8	24.1	DN65	ZENS9024.010	
ZEN-DRG400/2/80HT E0ET	805622	3.0	4.0		2	21.2	28.6		ZENS9024.010	
ZEN-DRG550/2/80HT P0FT	805623	4.0	5.5		2	24.4	30.5	DN80	ZENS9024.010	
ZEN-DRG300/4/80HT G0ET	805628	2.2	3.0		4	12.1	32.3		ZENS9024.007	
ZEN-DRG400/4/80HT HOET	805629	3.0	4.0		4	13.9	34.8	ZENS9024.007		
ZEN-DRG550/4/100HT ROFT	806031	4.0	5.5		4	13.1	63.1	DN100	ZENS9024.007	
ZEN-DRG1000/2/80HT A0FT	806237	7.5	10		2	34.9	45.1	DN80	ZENS9024.006	
ZEN-DRG1500/2/80HT A0GT	807414	11.0	15		2	41.8	48.0		ZENS9024.006	
ZEN-DRG2000/2/80 G0HT	806218	15.0	20		2	39.3	45.8		ZENS9024.007	
ZEN-DRG2500/2/80HT W0HT	807355	18.5	25		2	49.9	69.2		ZENS9024.015	
ZENS9024.006	711487	Ring Stand								
ZENS9024.007	711488									
ZENS9024.010	805879									
ZENS9024.015										

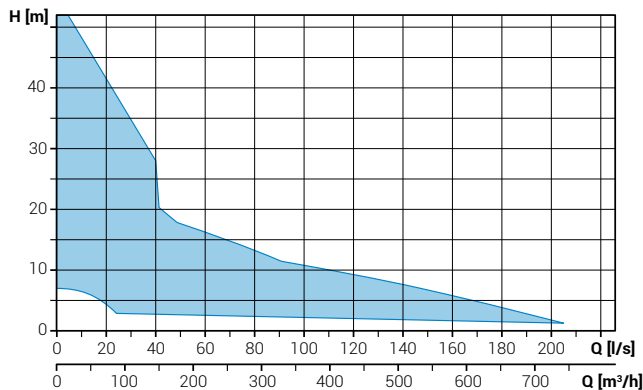
Accessories - Adaptors

Part Number	Item Code	Description
ZEN-FLT80	711392	Adaptor to suit Flygt rail system

Multi-channel open impeller



OPERATING RANGES



RANGE CHARACTERISTICS

Motor power:	1.8 ÷ 18.5 kW
Poles:	2 / 4 / 6
Insulation class:	H
Degree of protection:	IP68
Discharge:	DN65 ÷ DN250 horizontal
Free passage:	Free passage max 100 x 70 mm
Max flow rate:	205 l/s
Max head:	50 m

MOTOR

Environmentally friendly dry motor with thermal protections

CABLE

S1RN8-F electric cable. Standard version 10 m cable length

MECHANICAL SEALS

Two Silicon Carbide (SiC) mechanical seals in oil sump

APPLICATIONS

It is particularly suitable for the treatment of liquids containing suspended solids or filaments, and low or medium density activated sludges.

VERSIONS

Electrical variants:	NAE, TS
Cooling system:	N
Mechanical seals:	2SiC

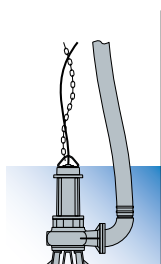
OPERATING SPECIFICATIONS

Max operating temperature:	40 °C
PH of treated fluid:	6 ÷ 14
Viscosity of treated fluid:	1 mm²/s
Maximum immersion depth:	20 m
Density of treated fluid:	1 Kg/dm³
Acoustic pressure max:	<70dB
Max starts per hour:	30

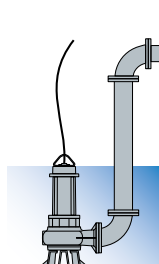
CONSTRUCTION MATERIALS

Case:	Cast Iron EN-GJL 250
Hydraulic parts:	Cast Iron EN-GJL 250
Impeller:	Cast Iron EN-GJL 250
Nuts and bolts:	Stainless Steel - Class A2-70
Standard gasket:	Rubber - NBR
Shaft:	Stainless Steel - AISI 431
Paint type:	Ecological bicomponent epoxy (~ 200 µm)

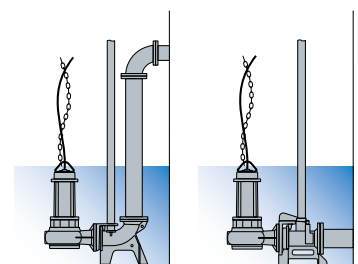
INSTALLATIONS



FREE installation

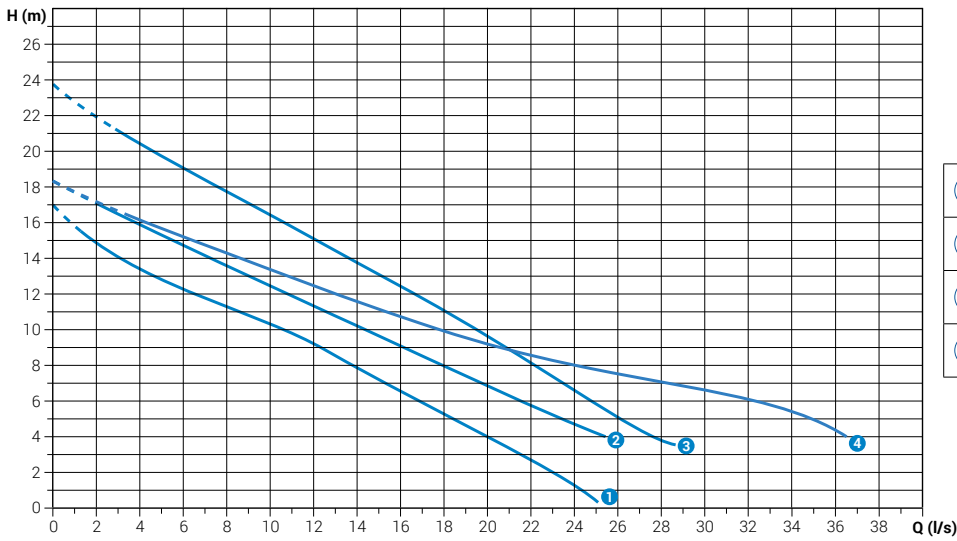


PERMANENT installation

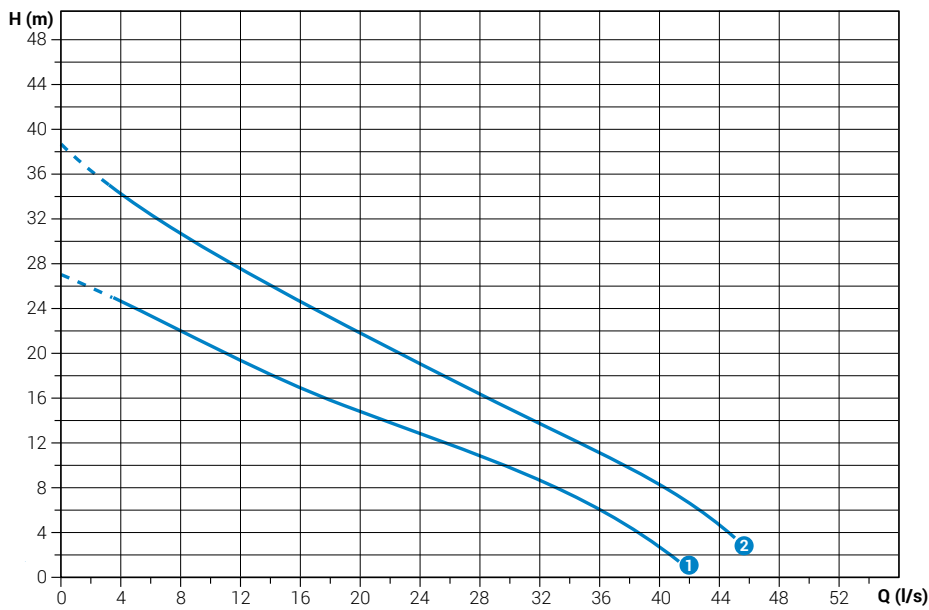


Installation with BOTTOM COUPLER

PERFORMANCE CURVES



①	ZEN-DRG250/2/80HLOATEX
②	ZEN-DRG300/2/80HE0ETEX
③	ZEN-DRG400/2/80HE0ETEX
④	ZEN-DRG550/2/80HB0FTEX



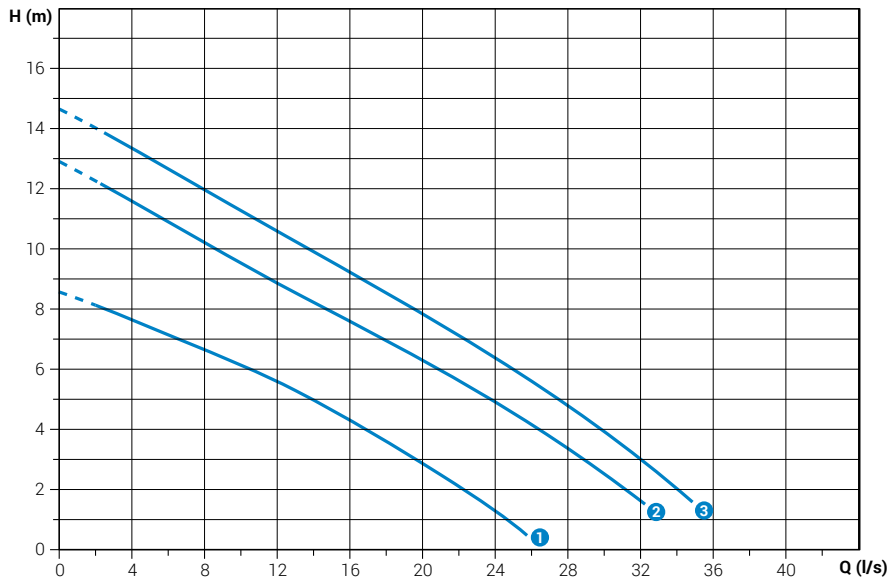
①	ZEN-DRG750/2/80HA0FTEX
②	ZEN-DRG1000/2/80HA0FTEX

TECHNICAL DATA

Part Number	Item Code	L/s	0	4	8	12	16	20	24	28	32	36	40	44
			L/min	0	240	480	720	960	1200	1440	1680	1920	2160	2400
		m ³ /hr	0	14.4	28.8	43.2	57.6	72	86.4	100.8	115.2	129.6	144	158.4
ZEN-DRG250/2/80HLOATEX	807383	Head (m)	17.0	13.5	11.3	9.2	6.6	4.0	1.3					
ZEN-DRG300/2/80HE0ETEX	807384		18.4	15.9	13.6	11.4	9.1	6.9	4.7					
ZEN-DRG400/2/80HE0ETEX	807385		23.5	20.3	17.7	15.1	12.4	9.6	6.6	3.8				
ZEN-DRG550/2/80HB0FTEX	807386		18.6	16.3	14.4	12.5	10.7	9.1	7.9	6.9	5.9	4.2		
ZEN-DRG750/2/80HA0FTEX	807387		27.0	24.7	22.0	19.3	16.9	14.7	12.8	10.8	8.6	6.0	2.6	
ZEN-DRG1000/2/80HA0FTEX	807388		38.6	34.2	30.6	27.6	24.7	21.8	19.0	16.3	13.7	11.1	8.3	4.7

Part Number	Item Code	Phase	P1 kW	P2 kW	A	RPM	Cable	Outlet	Sphere mm
ZEN-DRG250/2/80HLOATEX	807383	3	2.2	1.8	3.7	2900	10m x 4G1	DN80	35x30
ZEN-DRG300/2/80HE0ETEX	807384	3	2.8	2.2	4.6	2900	10m x 4G1.5+3x1	DN80	40x35
ZEN-DRG400/2/80HE0ETEX	807385	3	3.7	3.0	6.4	2900	10m x 4G1.5+3x1	DN80	40x35
ZEN-DRG550/2/80HB0FTEX	807386	3	4.7	4.0	7.7	2900	10m x 4G1.5+3x1	DN80	55x50
ZEN-DRG750/2/80HA0FTEX	807387	3	6.3	5.5	10.8	2900	10m x 4G1.5+3x1	DN80	40
ZEN-DRG1000/2/80HA0FTEX	807388	3	8.5	7.5	13.7	2900	10m x 4G1.5+3x1	DN80	40

PERFORMANCE CURVE



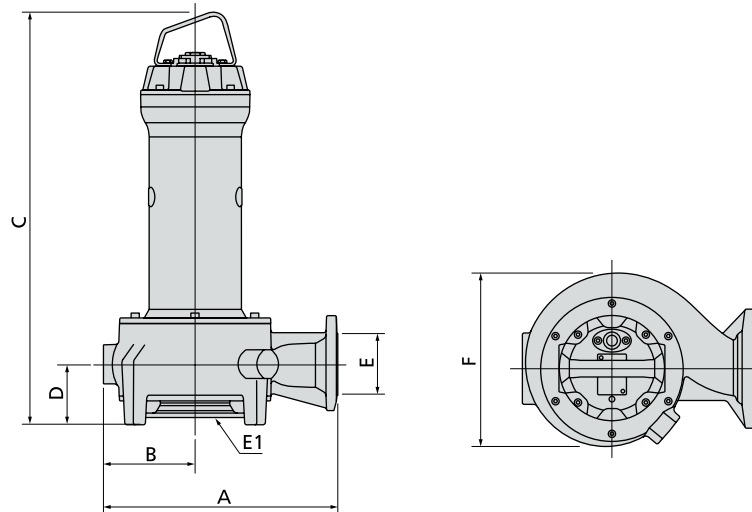
①	ZEN-DRG200/4/80HM0ETEX
②	ZEN-DRG300/4/80HG0ETEX
③	ZEN-DRG400/4/80HH0ETEX

TECHNICAL DATA

Part Number	Item Code	L/s	0	4	8	12	16	20	24	28	32	64
		L/min	0	240	480	720	960	1200	1440	1680	1920	3840
		m³/hr	0	14.4	28.8	43.2	57.6	72	86.4	100.8	115.2	230.4
ZEN-DRG200/4/80HM0ETEX	807389	Head (m)	8.6	7.7	6.7	5.6	4.4	2.9	1.3			
ZEN-DRG300/4/80HG0ETEX	807390		12.8	11.6	10.2	8.8	7.5	6.3	4.9	3.4	1.6	1.6
ZEN-DRG400/4/80HH0ETEX	807391		14.6	13.4	12	10.6	9.2	7.8	6.4	4.8	3	3

Part Number	Item Code	Phase	P1 kW	P2 kW	A	RPM	Cable	Outlet	Sphere mm
ZEN-DRG200/4/80HM0ETEX	807389	3	1.8	1.5	3.4	1450	10m x 4G1.5+3x1	DN80	45
ZEN-DRG300/4/80HG0ETEX	807390	3	2.7	2.2	5.2	1450	10m x 4G1.5+3x1	DN80	75
ZEN-DRG400/4/80HH0ETEX	807391	3	3.7	3.0	6.7	1450	10m x 4G1.5+3x1	DN80	75

DIMENSIONAL DRAWING



	A	B	C	D	E	E1	F	FLANGE	KG	PACKING DIMENSIONS		
										X	Y	Z
ZEN-DRG250/2/80HL0ATEX	347	135	542	80	80	80	252	DN80 PN10-16	36.0	445	725	425
ZEN-DRG300/2/80HE0ETEX	347	135	564	80	80	80	252	DN80 PN10-16	60.6	445	725	425
ZEN-DRG400/2/80HE0ETEX	347	135	614	80	80	80	252	DN80 PN10-16	62.6	445	725	425
ZEN-DRG550/2/80HB0FTEX	327	142	707	91	80	80	271	DN80 PN10-16	68.0	445	725	425
ZEN-DRG750/2/80HA0FTEX	327	142	707	91	80	80	271	DN80 PN10-16	70.7	445	725	425
ZEN-DRG1000/2/80HA0FTEX	327	142	782	91	80	80	271	DN80 PN10-16	79.7	535	915	560
ZEN-DRG200/4/80HM0ETEX	394	151	603	88	80	80	292	DN80 PN10-16	66.0	445	725	425
ZEN-DRG300/4/80HG0ETEX	393	151	653	88	80	80	292	DN80 PN10-16	72.6	445	725	425
ZEN-DRG400/4/80HH0ETEX	393	151	653	88	80	80	291	DN80 PN10-16	77.0	445	725	425

GREY SERIES

DGG - INDUSTRIAL DRAINAGE ATEX VORTEX PUMPS

Suitable for use in applications that have unstrained soiled biological wastewaters, sewage and also for civil lifting applications. The DGG can be used in wastewater treatment plants, sewer systems, livestock farms, industry and agriculture. Cast Iron construction with 2 opposed silicon carbide mechanical seals in an inspectable oil sump, large free passage. Suitable for use in underground car parks. ATEX certified Ex d.

SUITABLE FOR:

- Biological liquids and wastewater
- Civil and industrial lifting
- Wastewater treatment plants and livestock farms



CERTIFICATIONS & WARRANTY

IECEX
APPROVED
ZONE 1



Cast iron vortex
impeller
Full free passage



AUSTRALIAN MODELS

Part Number	Item Code	kW	HP	Volts	Poles	Includes Float Switch	Max Mead (m)	Max Flow (lps)	Outlet (mm)	Ring Stand Required
ZEN-DGG300/2/80HG0ETEX	807392	2.2	3.0	415	2	No	8.5	13.5	DN 80	ZENS9024.006
ZEN-DGG400/2/80HH0ETEX	807393	3.0	4.0				12.3	16.8		ZENS9024.006
ZEN-DGG550/2/80HNOFTEX	807394	4.0	5.5				16.3	23.1		ZENS9024.114
ZEN-DGG750/2/80HA0FTEX	807395	5.5	7.5				16.1	28.0		ZENS9024.114
ZEN-DGG1000/2/80HA0FTEX	807396	7.5	10.0		4		20.8	36.5		ZENS9024.114
ZEN-DGG250/4/80HE0ETEX	807397	1.8	2.4				10.3	25.4		ZENS9024.007
ZEN-DGG300/4/80HE0ETEX	807398	2.2	3.0				11.0	23.1		ZENS9024.007
ZEN-DGG400/4/80HM0ETEX	807399	3.0	4.0				10.9	27.6		ZENS9024.007
ZENS9024.006	711487	Ring Stand								
ZENS9024.114	807356									
ZENS9024.007	711488									

3 phase pumps require contactor and overload.

NEW ZEALAND MODELS

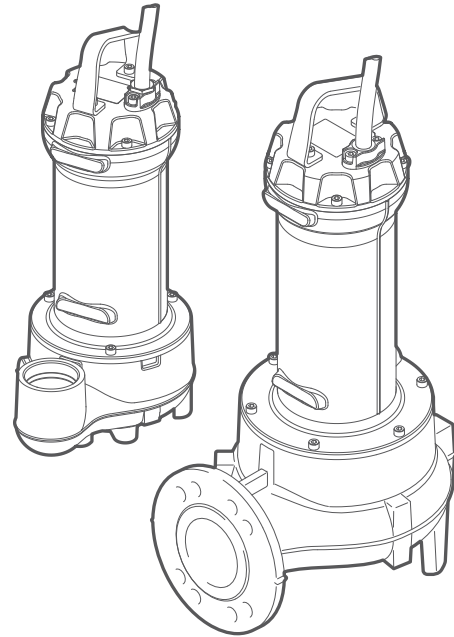
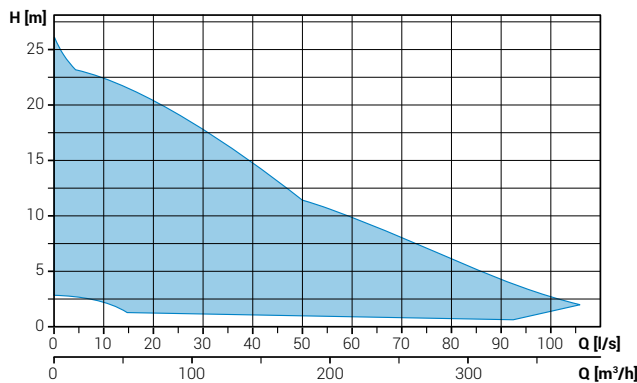
Part Number	Item Code	kW	HP	Volts	Poles	Max Head (m)	Max Flow (lps)	Outlet (mm)	Ring Stand Required
ZEN-DGG300/4/80HT E0ET	807078	2.2	5.5	415	4	11.0	23.1	DN80	ZENS9024.007
ZEN-DGG400/4/80HT M0ET	807079	3.0	4.0		4	10.3	28		ZENS9024.007
ZEN-DGG550/4/80HT D0FT	807080	4.0	5.5		4	13.5	28		ZENS9024.114
ZEN-DGG550/4/100HT G0FT	807413	4.0	5.5		2	11.5	44.2	DN100	ZEN9024.007
ZEN-DGG550/2/80HT NOFT	807081	4.0	5.5		2	16.3	23.1	DN80	ZENS9024.114
ZENS9024.007	711488	Ring Stand							
ZENS9024.114	807356								

Accessories - Adaptors

Part Number	Item Code	Description
ZEN-FLT80	711392	Adaptor to suit Flygt rail system

Pumps with Vortex Impeller

OPERATING RANGES



RANGE CHARACTERISTICS

Motor power	1.8 ÷ 15.0 kW
Poles	2 / 4
Insulation class	H
Degree of protection	IP68
Discharge	GAS 2½" vertical DN65 ÷ DN150 horizontal
Free passage	max 125 mm
Max flow rate	106 l/s
Max head	26.1 m

MOTOR

Ecological dry motor with thermal protections

CABLE

S1RN8-F electric cable. Standard version 10 m cable length

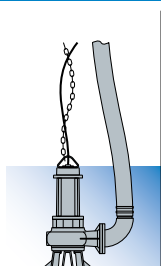
MECHANICAL SEALS

Two silicon carbide (SiC) mechanical seals in oil sump.

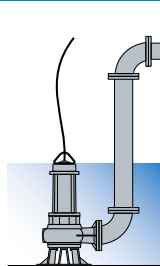
APPLICATIONS

Used with unstrained soiled biological wastewaters and sewage and for civil lifting applications. It is thus ideal for wastewater treatment plants, sewer systems, livestock farms, industry and agriculture.

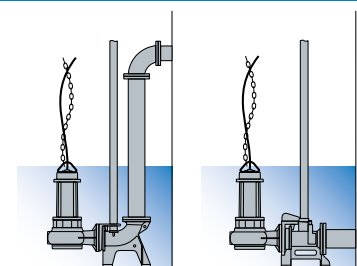
INSTALLATIONS



FREE installation



PERMANENT installation



with base coupling foot

VERSIONS

Electrical variants	NAE, TS
Cooling system	N
Mechanical seals	2SiC

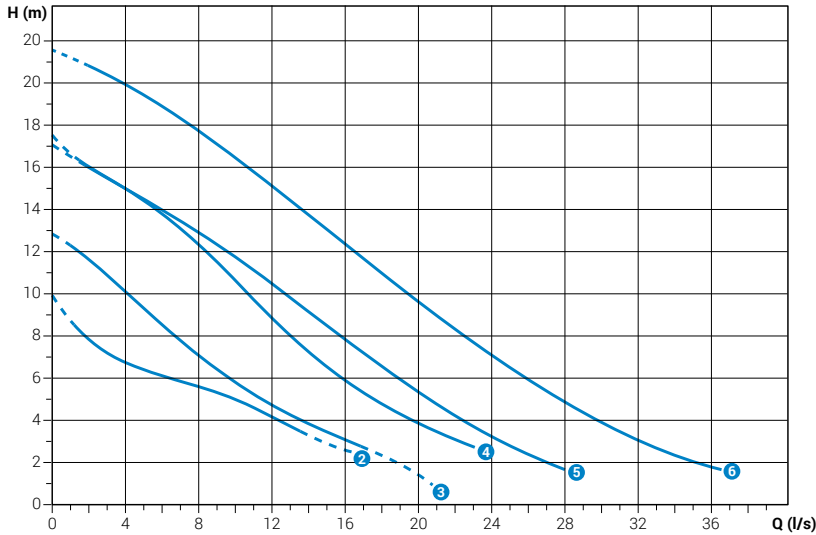
OPERATING SPECIFICATIONS

Max operating temperature	40 °C
PH of treated fluid	6 ÷ 14
Viscosity of treated fluid	1 mm ² /s
Maximum immersion depth	20 m
Density of treated fluid	1 Kg/dm ³
Acoustic pressure max	<70dB
Max starts per hour	30

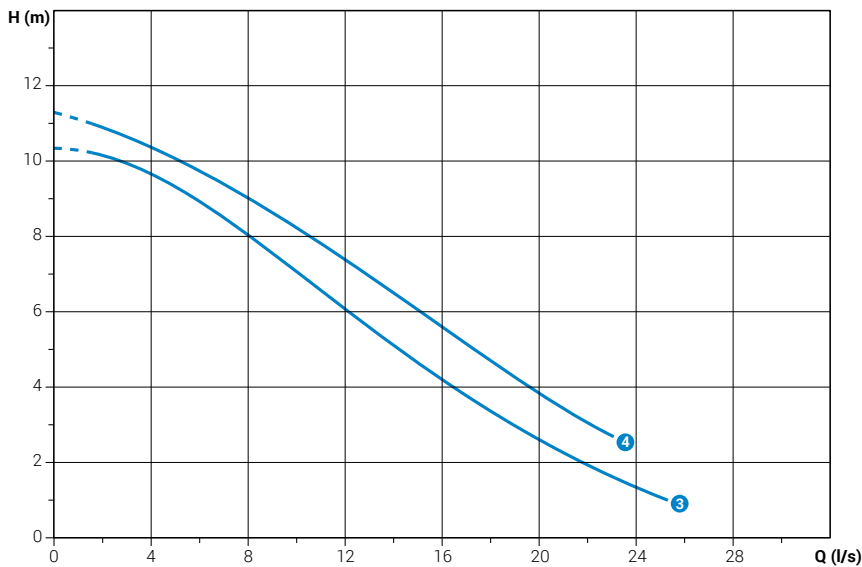
CONSTRUCTION MATERIALS

Case	Cast iron EN-GJL 250
Hydraulic parts	Cast iron EN-GJL 250
Impeller	Cast iron EN-GJL 250
Nuts and bolts	Stainless steel - Class A2-70
Standard gasket	Rubber - NBR
Shaft	Stainless steel - AISI 431
Paint type	Ecological bicomponent epoxy (~ 200 µm)

PERFORMANCE CURVE:



②	ZEN-DGG300/2/80HG0ETEX
③	ZEN-DGG400/2/80HH0ETEX
④	ZEN-DGG550/2/80HN0FTEX
⑤	ZEN-DGG750/2/80HA0FTEX
⑥	ZEN-DGG1000/2/80HA0FTEX



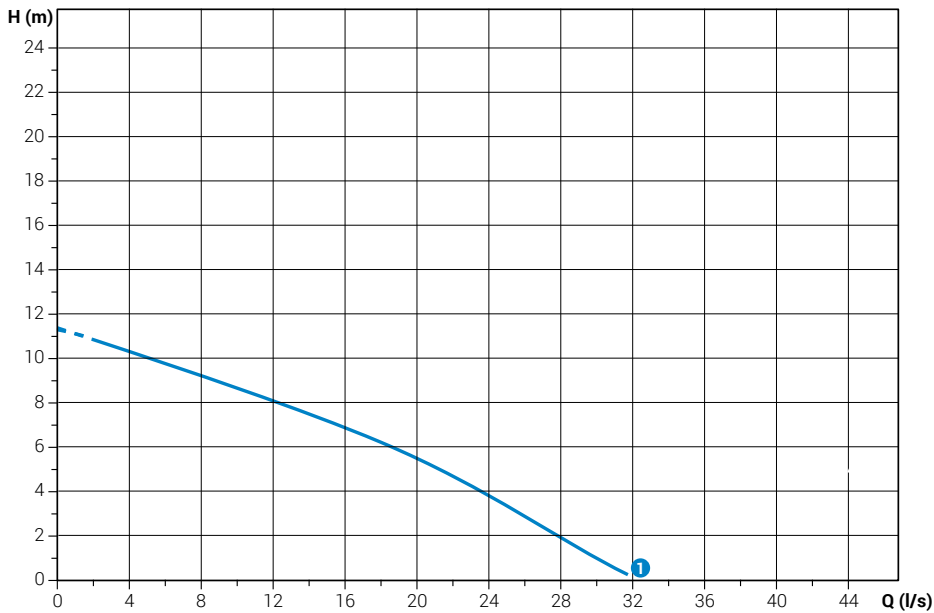
③	ZEN-DGG250/4/80HE0ETEX
④	ZEN-DGG300/4/80HE0ETEX

TECHNICAL DATA

Part Number	Item Code	L/s L/min m³/hr	0	4	8	12	16	20	24	28	32	36	40	44
			Head (m)											
ZEN-DGG300/2/80HG0ETEX	807392		9.7	6.7	5.6	4.2	2.6							
ZEN-DGG400/2/80HH0ETEX	807393		12.8	10.1	7.1	4.7	3.1	1.4						
ZEN-DGG550/2/80HN0FTEX	807394		17.5	15.0	12.4	8.9	5.9	3.9						
ZEN-DGG750/2/80HA0FTEX	807395		17.1	15.1	12.9	10.5	7.8	5.3	3.2	1.7				
ZEN-DGG1000/2/80HA0FTEX	807396		21.6	20.0	17.7	15.1	12.4	9.6	7.1	4.8	3.0	1.8		
ZEN-DGG250/4/80HE0ETEX	807397		10.4	9.7	8.1	6.1	4.2	2.6	1.3					
ZEN-DGG300/4/80HE0ETEX	807398		11.3	10.4	9.0	7.4	5.6	3.8						

Part Number	Item Code	Phase	P1 kW	P2 kW	A	RPM	Cable	Outlet	Sphere mm
ZEN-DGG300/2/80HG0ETEX	807392	3	2.8	2.2	4.6	2900	10m x 4G1.5+3x1	DN80	80
ZEN-DGG400/2/80HH0ETEX	807393	3	3.7	3.0	6.4	2900	10m x 4G1.5+3x1	DN80	80
ZEN-DGG550/2/80HN0FTEX	807394	3	4.7	4.0	7.7	2900	10m x 4G1.5+3x1	DN80	80
ZEN-DGG750/2/80HA0FTEX	807395	3	6.3	5.5	10.8	2900	10m x 4G1.5+3x1	DN80	80
ZEN-DGG1000/2/80HA0FTEX	807396	3	8.5	7.5	13.7	2900	10m x 4G1.5+3x1	DN80	80
ZEN-DGG250/4/80HE0ETEX	807397	3	2.2	1.8	4.3	1450	10m x 4G1.5+3x1	DN80	80
ZEN-DGG300/4/80HE0ETEX	807398	3	2.7	2.2	5.2	1450	10m x 4G1.5+3x1	DN80	80

PERFORMANCE CURVE:



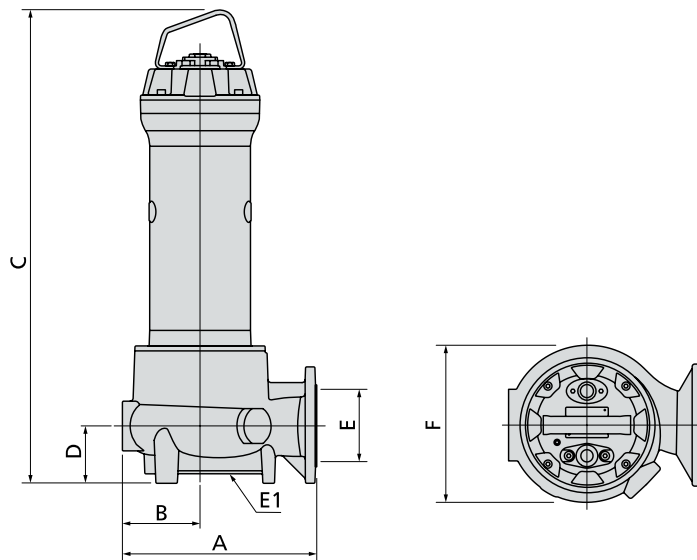
① ZEN-DGG400/4/80HM0ETEX

TECHNICAL DATA

Part Number	Item Code	L/s	0	4	8	12	16	20	24	28
		L/min	0	240	480	720	960	1200	1440	1680
		m ³ /hr	0	14.4	28.8	43.2	57.6	72	86.4	100.8
ZEN-DGG400/4/80HM0ETEX	807399	Head (m)	11.4	10.3	9.2	8.1	6.9	5.5	3.8	1.9

Part Number	Item Code	Phase	P1 kW	P2 kW	A	RPM	Cable	Outlet	Sphere mm
ZEN-DGG400/4/80HM0ETEX	807399	3	3.7	3.0	6.7	1450	10m x 4G1.5+3x1	DN80	80

DIMENSIONAL DRAWING



	A	B	C	D	E	E1	F	FLANGE	KG	PACKING DIMENSIONS		
										X	Y	Z
ZEN-DGG300/2/80HG0ETEX	312	120	602	80	80	80	236	DN80 PN10-16	59.6	445	725	425
ZEN-DGG400/2/80HH0ETEX	312	120	652	80	80	80	236	DN80 PN10-16	61.6	445	725	425
ZEN-DGG550/2/80HN0FTEX	313	125	762	92	80	80	251	DN80 PN10-16	71.0	535	915	560
ZEN-DGG750/2/80HA0FTEX	313	125	762	92	80	80	251	DN80 PN10-16	73.7	535	915	560
ZEN-DGG1000/2/80HA0FTEX	313	125	837	92	80	80	251	DN80 PN10-16	82.7	535	915	560
ZEN-DGG250/4/80HE0ETEX	389	156	674	80	80	80	306	DN80 PN10-16	68.0	445	725	425
ZEN-DGG300/4/80HE0ETEX	389	156	674	80	80	80	306	DN80 PN10-16	70.6	445	725	425
ZEN-DGG400/4/80HM0ETEX	389	156	674	80	80	80	306	DN80 PN10-16	75.0	445	725	425

GREY SERIES

APG - INDUSTRIAL DRAINAGE ATEX HIGH HEAD PUMPS

Suitable for clear wastewater, rainwater and seepage. The high head guarantees excellent results for the creation of water features and decorative fountains. Cast Iron construction with 2 x opposed Silicon Carbide mechanical seals in inspectable oil sump. Suitable for use in underground car parks. ATEX certified Ex d.

SUITABLE FOR:

- Industrial applications and car-washes
- Clean water in fountains and water features
- Irrigation and fish farming (Aquaculture)

CERTIFICATIONS & WARRANTY

IECEX
APPROVED
ZONE 1



Part Number	Item Code	kW	HP	Volts	Includes Float Switch	Max Head (m)	Max Flow (lps)	Outlet	Ring Stand
ZEN-APG300/2/G50HC0ETEX	807400	2.2	3.0	415	No	28.7	6.9	G 2" - DN32	ZENS9024.006
ZEN-APG400/2/G50HDOETEX	807401	3.0	4.0			31.7	6.4	G 2" - DN32	ZENS9024.006
ZEN-APG550/2/G50HD0FTEX	807402	4.0	5.5			37.9	8.2	G 2" - DN32	ZENS9024.006
ZEN-APG750/2/G50HA0FTEX	807403	5.5	7.5			44.7	10.3	G 2" - DN32	ZENS9024.006
ZENS9024.006	711487					Ring Stand			

*3 phase pumps require contactor and overload.

TECHNICAL DATA

Part Number	Item Code	L/s	0	1	2	3	4	5	6	7	8	9	10
		L/min	0	60	120	180	240	300	360	420	480	540	600
		m ³ /hr	0	3.6	7.2	10.8	14.4	18	18	25.2	28.8	32.4	36
ZEN-APG300/2/G50HC0ETEX	807400	Head (m)	29.2	28.2	27.0	25.6	24.1	22.5	20.4	17.6			
ZEN-APG400/2/G50HDOETEX	807401			31.4	29.9	28.5	27.2	25.9	24.4				
ZEN-APG550/2/G50HD0FTEX	807402		38.6	37.6	36.1	34.5	32.9	31.3	29.6	27.7	25.4		
ZEN-APG750/2/G50HA0FTEX	807403		45.8	44.5	43.5	42.2	40.7	38.9	36.8	24.5	31.8	28.6	24.2

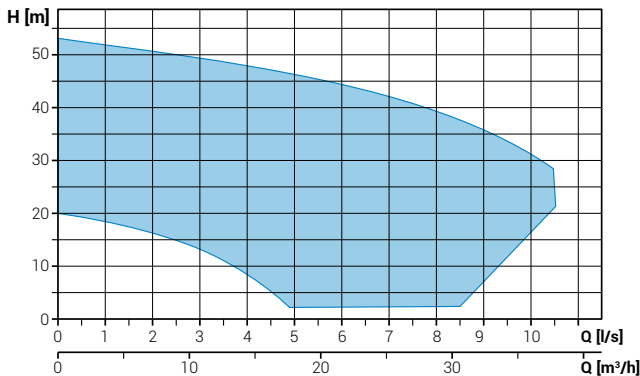
Part Number	Item Code	Phase	P1 kW	P2 kW	A	RPM	Cable	Outlet	Sphere mm
ZEN-APG300/2/G50HC0ETEX	807400	3	2.8	2.2	4.6	2900	10m x 4G1.5+3x1	G2" DN32	8
ZEN-APG400/2/G50HDOETEX	807401	3	3.7	3	6.4	2900	10m x 4G1.5+3x1	G2" DN32	8
ZEN-APG550/2/G50HD0FTEX	807402	3	4.7	4	7.7	2900	10m x 4G1.5+3x1	G2" DN32	8
ZEN-APG750/2/G50HA0FTEX	807403	3	6.3	5.5	10.8	2900	10m x 4G1.5+3x1	G2" DN32	10

Accessories - Adaptors

Part Number	Item Code	Description
ZEN-FLT2	711391	Adaptor to suit Flygt rail system
ZENIT-CLAW	807150	Adaptor to suite Grundfos SEG rail system

High Head Pumps

OPERATING RANGES



RANGE CHARACTERISTICS

Motor power	1.8 ÷ 7.5 kW
Poles	2
Insulation class	H
Degree of protection	IP68
Discharge	GAS 1½ - 2" DN32 horizontal
Free passage	max 10 mm
Max flow rate	10.5 l/s
Max head	53.0 m
Max head	26.1 m

MOTOR

Ecological dry motor with thermal protections.

CABLE

S1RN8-F electric cable. Standard version 10 m cable length.

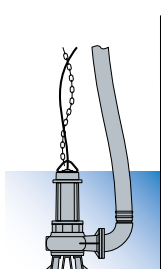
MECHANICAL SEALS

Two silicon carbide (SiC) mechanical seals in oil sump.

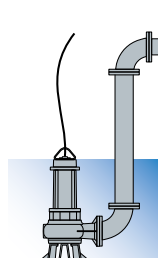
APPLICATIONS

The relatively high head guarantees excellent results for the creation of water features and decorative fountains; suitable for use in agriculture, irrigation and the fish processing sector.

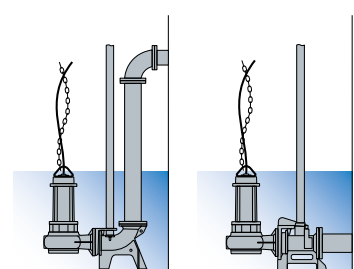
INSTALLATIONS



FREE installation



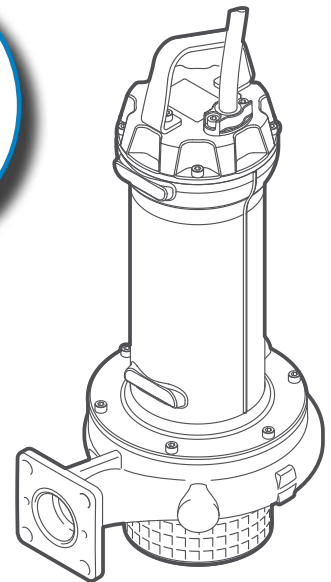
PERMANENT installation



with base coupling foot



Cast iron multi-channel open impeller
High manometric head



VERSIONS

Electrical variants	NAE, TS
Cooling system	N
Mechanical seals	2SiC

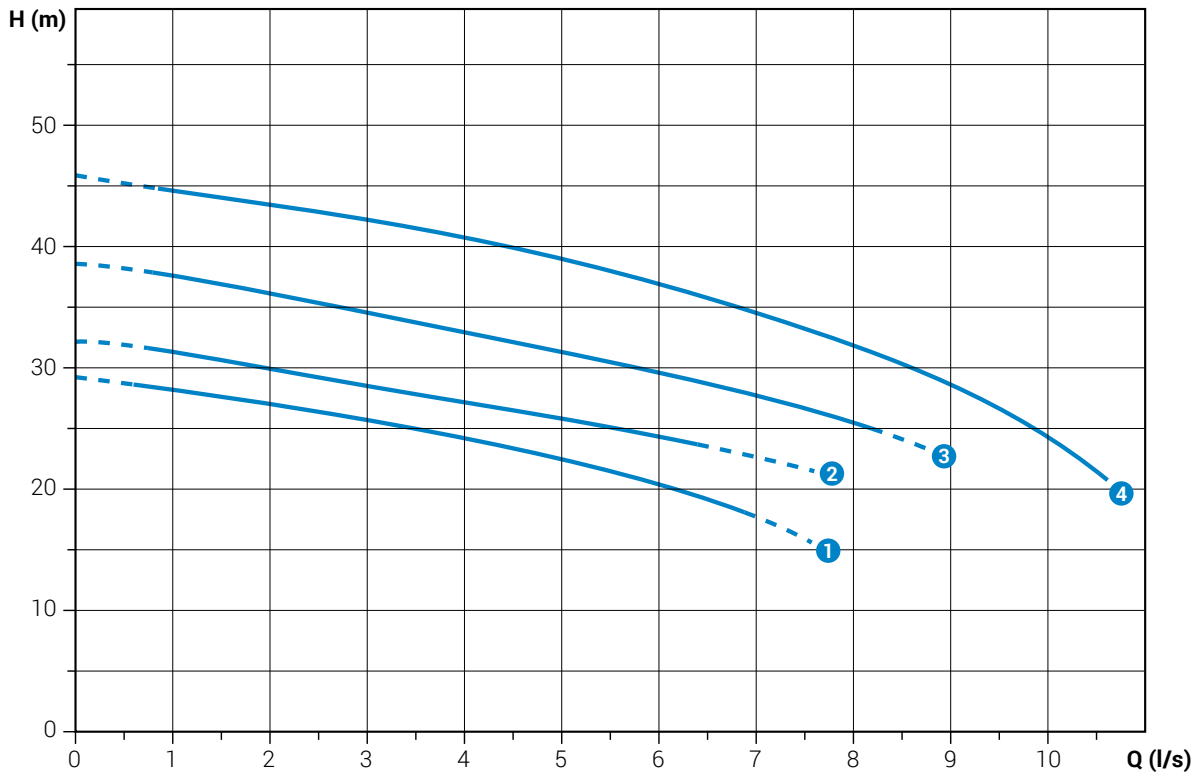
OPERATING SPECIFICATIONS

Max operating temperature	40 °C
PH of treated fluid	6 ÷ 14
Viscosity of treated fluid	1 mm ² /s
Maximum immersion depth	20 m
Density of treated fluid	1 Kg/dm ³
Acoustic pressure max	<70dB
Max starts per hour	30

CONSTRUCTION MATERIALS

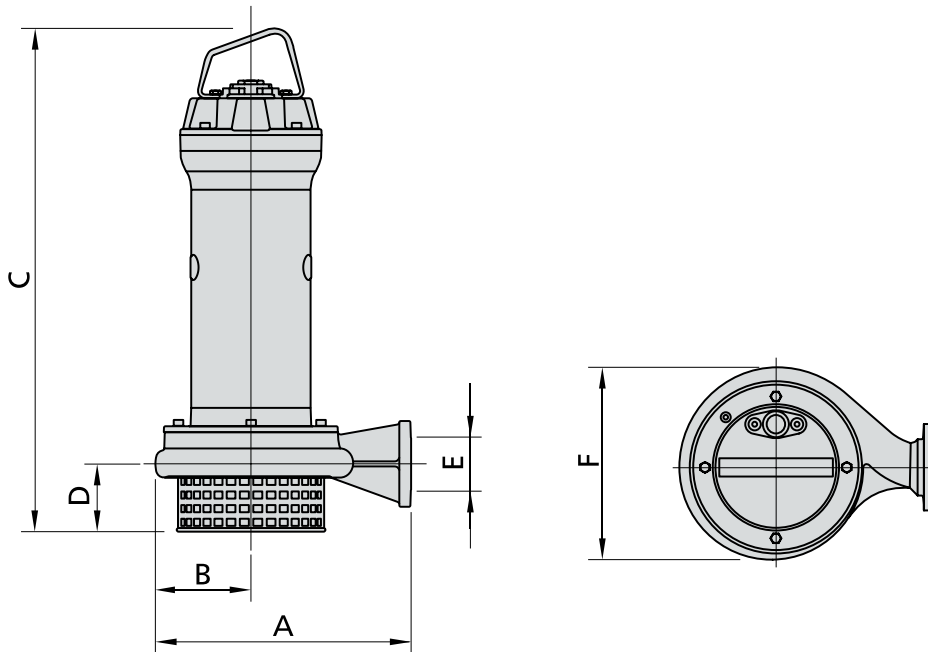
Case	Cast iron EN-GJL 250
Hydraulic parts	Cast iron EN-GJL 250
Impeller	Cast iron EN-GJL 250
Nuts and bolts	Stainless steel - Class A2-70
Standard gasket	Rubber - NBR
Shaft	Stainless steel - AISI 431
Strainer	Stainless steel - AISI 304
Paint type	Ecological bicomponent epoxy (~ 200 µm)

PERFORMANCE CURVE



①	ZEN-APG300/2/G50HC0ETEX	③	ZEN-APG550/2/G50HD0FTEX
②	ZEN-APG400/2/G50HDOETEX	④	ZEN-APG750/2/G50HA0FTEX

DIMENSIONAL DRAWING



	A	B	C	D	E	F	FLANGE	KG	PACKING DIMENSIONS		
									X	Y	Z
ZEN-APG300/2/G50HC0ETEX	305	110	550	79	G2"	225	DN32 PN10	58.6	445	725	425
ZEN-APG400/2/G50HDOETEX	352	132	613	76	G2"	263	DN32 PN10	60.6	445	725	425
ZEN-APG550/2/G50HD0FTEX	352	128	670	76	G2"	263	DN32 PN10	57.0	445	725	425
ZEN-APG750/2/G50HA0FTEX	352	128	669	76	G2"	263	DN32 PN10	59.7	445	725	425



GREY SERIES

GRG - GRINDER - ATEX

Designed for professional and industrial use, the Zenit Grey GRG Series Grinders are suitable for pumping sewage. The GRG series grinders are made with cast iron construction with 2 opposed Silicon Carbide mechanical seals in an inspectable oil sump, anti-clogging system. Suitable for use in underground car parks. ATEX certified Ex d.

SUITABLE FOR:

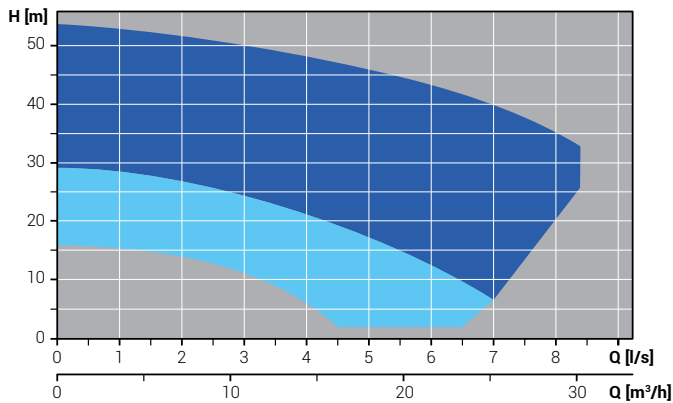
- Lifting of liquids containing fibres and filaments
- Professional and industrial applications
- Livestock farms

CERTIFICATIONS & WARRANTY

IECEX
APPROVED
ZONE 1



PERFORMANCE CURVE



Available Under development + Selected models only



AUSTRALIAN MODELS

Part Number	Item Code	kW	HP	Volts	Poles	Includes Float Switch	Max Head (m)	Max Flow (lps)	Outlet	Ring Stand
ZEN-GRG250/2/G40HA0ATEX	807377	1.8	2.4	415	2	No	28.2	5.3	G 1-½" - DN32	ZENS9024.006
ZEN-GRG300/2/G50HC0ETEX	807378	2.2	3.0				29.9	5.4		
ZEN-GRG400/2/G50HD0ETEX	807379	3.0	4.0				33.6	4.8		
ZEN-GRG550/2/G50HD0FTEX	807380	4.0	5.5				42.5	4.5		
ZEN-GRG750/2/G50HA0FTEX	807381	5.5	7.5				46.4	8.4		
ZEN-GRG1000/2/G50HA0FTEX	807382	7.5	10.0				53.3	8.4		
ZENS9024.006	711487					Ring Stand				

*3 phase pumps require contactor and overload.

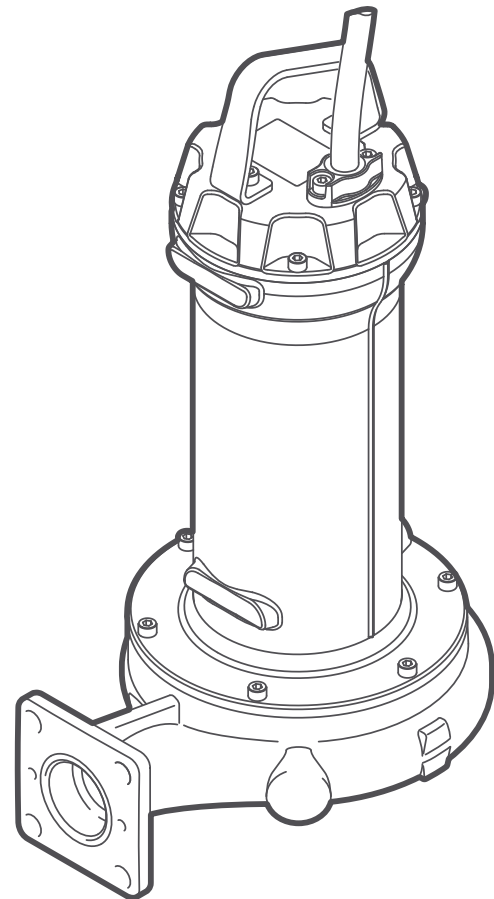
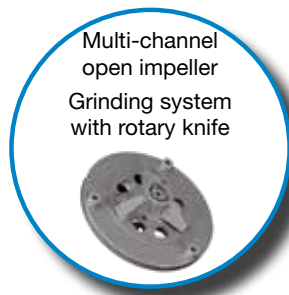
NEW ZEALAND MODELS

Part Number	Item Code	kW	HP	Volts	Poles	Max Head (m)	Max Flow (lps)	Outlet (mm)	Ring Stand Required
ZEN-GRG250/2/G40HT A0AT	805627	1.8	2.5	415	2	28.2	5.3	1½" BSPF	ZENS9024.006
ZEN-GRG300/2/G50HT C0ET	805624	2.2	3.0		2	29.9	5.4	DN50	ZENS9024.006
ZEN-GRG400/2/G50HT D0ET	805625	3.0	4.0		2	33.6	4.8	DN50	ZENS9024.006
ZEN-GRG550/2/G50HT D0FT	805626	4.0	5.5		2	42.5	4.5	DN50	ZENS9024.006
ZENS9024.006	711487						Ring Stand		

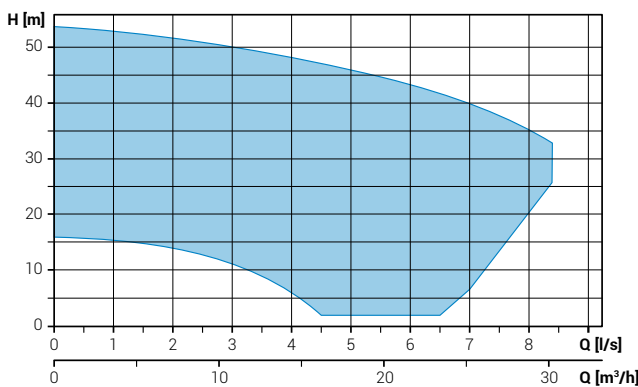
Accessories - Adaptors

Part Number	Item Code	Description
ZEN-FLT2	711391	Adaptor to suit Flygt rail system
ZENIT-CLAW	807150	Adaptor to suite Grundfos SEG rail system

Impeller with Grinding System



OPERATING RANGES



RANGE CHARACTERISTICS

Motor power:	1.8 ÷ 7.5 kW
Poles:	2
Insulation class:	H
Degree of protection:	IP68
Discharge:	GAS 1½" - 2" DN32 horizontal
Free passage:	-
Max flow rate:	8.4 l/s
Max head:	53.7 m

MOTOR

Environmentally friendly dry motor with thermal protections

CABLE

S1RN8-F electric cable. Standard version 10 m cable length

MECHANICAL SEALS

Two Silicon Carbide (SiC) mechanical seals in oil sump

APPLICATIONS

Designed for professional and industrial use, it is suitable for the treatment of liquids containing suspended solids or fibres.

VERSIONS

Electrical variants:	NAE, TS
Cooling system:	N
Mechanical seals:	2SiC

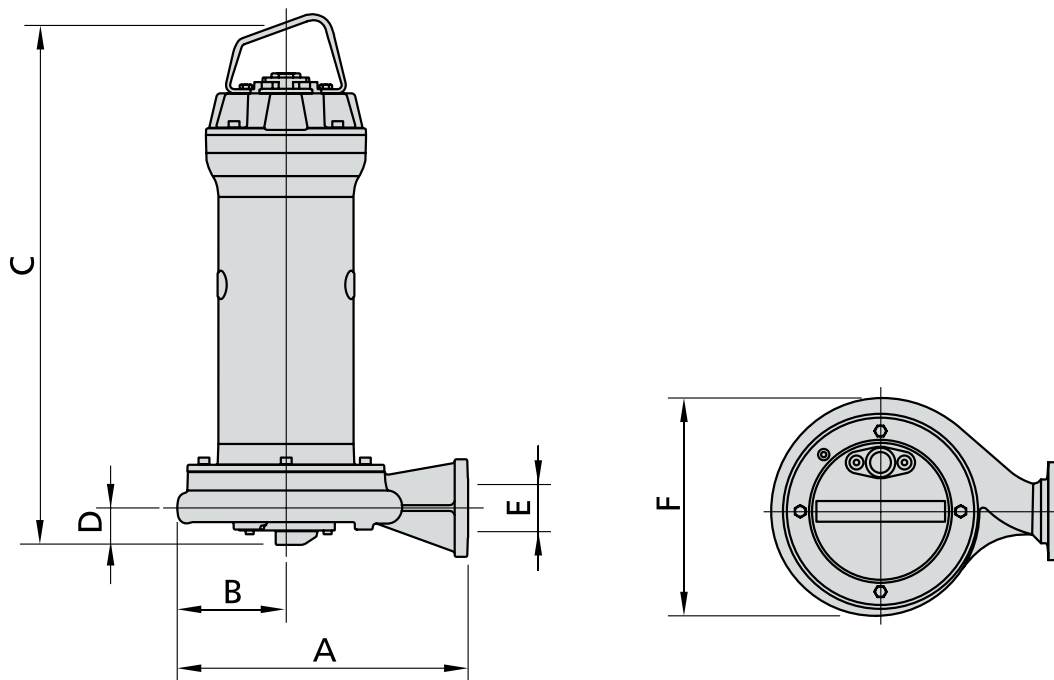
OPERATING SPECIFICATIONS

Max operating temperature:	40 °C
PH of treated fluid:	6 ÷ 14
Viscosity of treated fluid:	1 mm²/s
Maximum immersion depth:	20 m
Density of treated fluid:	1 Kg/dm³
Acoustic pressure max:	<70dB
Max starts per hour:	30

CONSTRUCTION MATERIALS

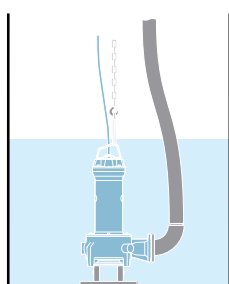
Case:	Cast Iron EN-GJL 250
Hydraulic parts:	Cast Iron EN-GJL 250
Impeller:	Cast Iron EN-GJL 250
Nuts and bolts:	Stainless Steel - Class A2-70
Standard gasket:	Rubber - NBR
Shaft:	Stainless steel - AISI 431
Cutter:	Chromium steel
Paint type:	Ecological bicomponent epoxy (~ 200 µm)

DIMENSIONAL DRAWING

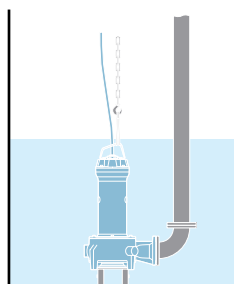


	A	B	C	D	E	F	FLANGE	KG	PACKING DIMENSIONS		
									X	Y	Z
ZEN-GRG250/2/G40HA0ATEX	267	103	491	45	G1-1/2"	215	DN32 PN10	32.0	310	580	310
ZEN-GRG300/2/G50HC0ETEX	305	110	527	56	G2"	225	DN32 PN10	58.6	445	725	425
ZEN-GRG400/2/G50HD0ETEX	352	132	594	59	G2"	263	DN32 PN10	59.6	445	725	425
ZEN-GRG550/2/G50HD0FTEX	352	128	652	59	G2"	263	DN32 PN10	57.0	445	725	425
ZEN-GRG750/2/G50HA0FTEX	352	128	652	59	G2"	263	DN32 PN10	59.4	445	725	425
ZEN-GRG1000/2/G50HA0FTEX	352	128	727	59	G2"	263	DN32 PN10	68.7	535	915	560

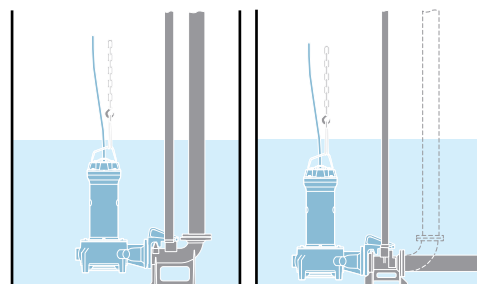
INSTALLATIONS AND ACCESSORIES



FREE
installation



PERMANENT
installation



Installation with BOTTOM
COUPLER



Bottom couplers

- Cast iron body - steel metal fasteners
- Vertical and horizontal discharge
- DN 65 ÷ DN 250



Base plates

- In cast iron or galvanized steel
- Ideal for free installation



Ball check valves

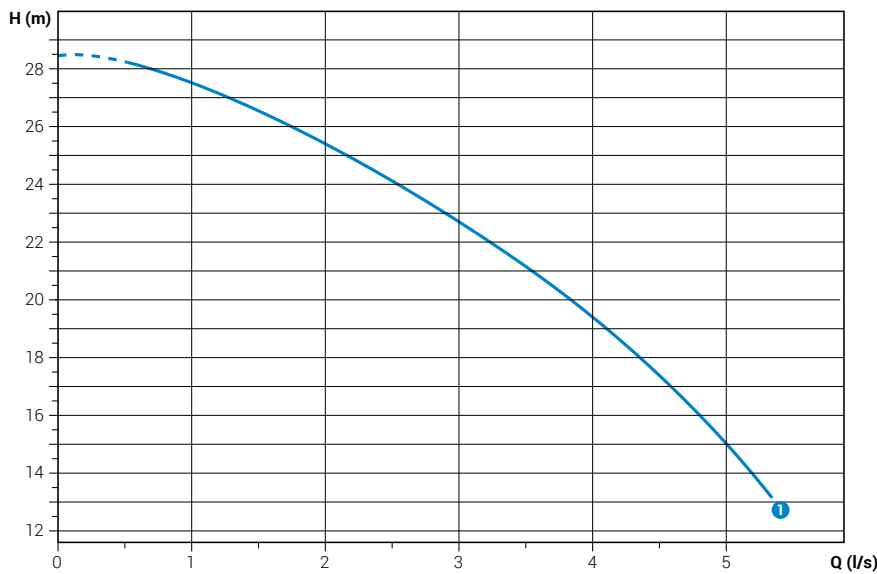
- Cast iron body - steel metal fasteners
- Rubber ball
- DN 65 ÷ DN 250



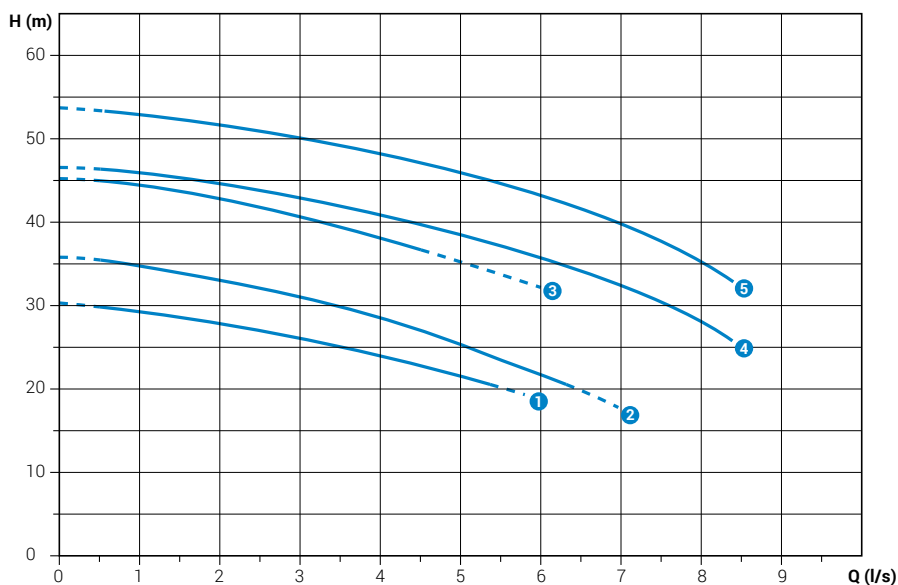
Chains

- In stainless and galvanised steel
- Ø 6mm

PERFORMANCE CURVES



① ZEN-GRG250/2/G40HA0ATEX



① ZEN-GRG300/2/G50HC0ETEX
 ② ZEN-GRG400/2/G50HD0ETEX
 ③ ZEN-GRG550/2/G50HD0FTEX
 ④ ZEN-GRG750/2/G50HA0FTEX
 ⑤ ZEN-GRG1000/2/G50HA0FTEX

TECHNICAL DATA

Part Number	Item Code	L/s	0	1	2	3	4	5	6	7	8
		L/min	0	60	120	180	240	300	360	420	480
		m³/hr	0	3.6	7.2	10.8	14.4	18	18	25.2	28.8
ZEN-GRG250/2/G40HA0ATEX	807377	Head (m)	28.5	27.5	25.4	22.7	19.4	14.9			
ZEN-GRG300/2/G50HC0ETEX	807378		30.3	29.3	27.9	26.1	24	21.6			
ZEN-GRG400/2/G50HD0ETEX	807379		35.8	34.8	33	31.1	28.5	25.3	21.8	17.7	
ZEN-GRG550/2/G50HD0FTEX	807380		45.1	44.4	42.8	40.6	38.1	35.3			
ZEN-GRG750/2/G50HA0FTEX	807381		46.6	45.9	44.6	42.8	40.8	38.5	35.8	32.4	27.9
ZEN-GRG1000/2/G50HA0FTEX	807382		53.7	52.9	51.6	50	48.2	46	43.3	39.8	35.2

Part Number	Item Code	Phase	P1 kW	P2 kW	A	RPM	Cable	Outlet	Sphere mm
ZEN-GRG250/2/G40HA0ATEX	807377	3	2.2	1.8	3.7	2900	10m x 4G1	G1-1/2" DN32	Grinder
ZEN-GRG300/2/G50HC0ETEX	807378	3	2.8	2.2	4.6	2900	10m x 4G1.5+3x1	G2" DN32	Grinder
ZEN-GRG400/2/G50HD0ETEX	807379	3	3.7	3	6.4	2900	10m x 4G1.5+3x1	G2" DN32	Grinder
ZEN-GRG550/2/G50HD0FTEX	807380	3	4.7	4	7.7	2900	10m x 4G1.5+3x1	G2" DN32	Grinder
ZEN-GRG750/2/G50HA0FTEX	807381	3	6.3	5.5	10.8	2900	10m x 4G1.5+3x1	G2" DN32	Grinder
ZEN-GRG1000/2/G50HA0FTEX	807382	3	8.5	7.5	13.7	2900	10m x 4G1.5+3x1	G2" DN32	Grinder

High Efficiency Submersible Pumps

CO₂ emissions reduction, lower costs and environmental issues. These are some of the issues that affect us all closely and which we need to take care for future generations.

In civil and industrial applications, the reliability of a submersible electric pump is a synonym for smooth operation, steady performance and continuous work cycles without undesired system shutdowns. For this reason, UNIQA is made of innovative materials and is equipped with cutting-edge technical features such as the new patented cooling system. All these attributes make UNIQA a safe and reliable product.

The UNIQA range represents the perfect solution for any domestic, commercial and industrial applications, with a choice of 2, 4, 6 or 8 pole motors from 4 to 405 kW, 50 and 60 Hz, and discharge ports from DN65 to DN400. The vortex impeller allows for wider free passage, paired with the anti-clogging system, guarantees the optimum performance of every UNIQA model in any circumstance.

AVAILABLE FOR
SPECIAL ORDER
MANUFACTURED TO ORDER
FOR OPTIMUM RESULTS



CABLE GLAND

Cable gland system with cable holder.

The universal thread ring-nut can be removed to fix a rigid or flexible duct to the cable gland to protect the cable from physical and mechanical stresses. On request a special resin seal is applied to prevent all possibility of water leaking into the motor even if the outer sheath is torn. for easy, hygienic drainage.

SUCTION AND DISCHARGE

The suction and discharge flanges can be ordered with holes of any standard type (UNI, ANSI, BS, etc.) to ensure perfect compatibility with the system and the accessories installed.

MECHANICAL SEALS

Two Silicon Carbide mechanical seals in oil sump to ensure excellent reliability even in heavy-duty conditions.

ELECTRICAL CONNECTIONS

The terminal board, which simplifies electrical wiring procedures, is in an airtight compartment which can be fitted with a leakage detection sensor.

Cooling liquid inspection and filler cap

Double stainless steel jacket

PAINTING

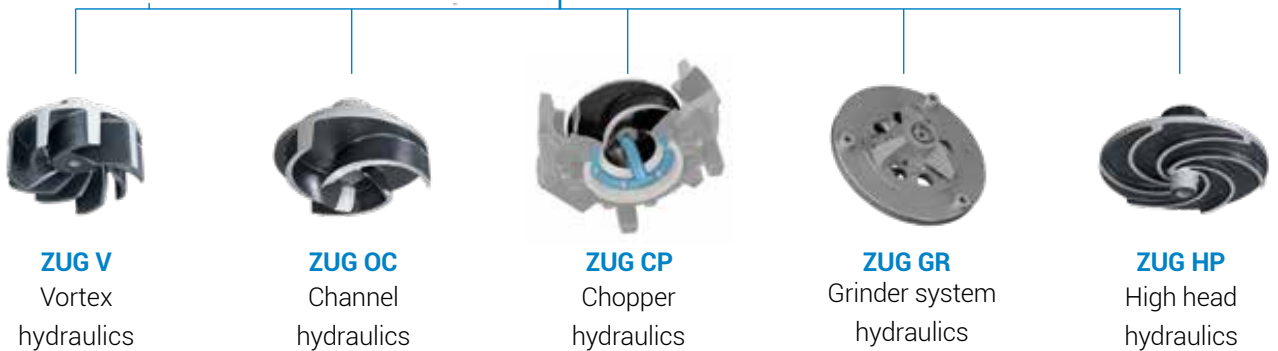
Bicomponent epoxy paint, standard thickness 200 µm (max 400 µm on request)

BEARINGS

Ball bearings with lifetime lubrication designed to guarantee 100,000 working hours. Optional sensors can monitor temperature and vibration to guarantee optimal performance.

WATER SENSOR

Sensor fitted as standard to detect water or moisture in the mechanical seal oil chamber. **Also standard on ATEX version models.**



ZUG V
Vortex
hydraulics

ZUG OC
Channel
hydraulics

ZUG CP
Chopper
hydraulics

ZUG GR
Grinder system
hydraulics

ZUG HP
High head
hydraulics

(WET version)

Range with ATEX certification:

Ex II 2G
Ex db h IIB T4 Gb

(DRY version)

Ex II 2GD
Ex db h IIB T4 Gb
Ex h tb IIIC T135°C Db

Thanks to a special component (*oil lifter*) the upper mechanical seal remains lubricated at all times, with more effective protection against wear



Mixer series

AVAILABLE
FOR SPECIAL
ORDER



WARRANTY



PAIR ME WITH AN iCON
CONTROLLER

SPC3-40 and SPC3-110
for the 4.5kw mixer

Part Number	Item Code	kW	HP	Pole	Prop Dia (mm)	Thrust N
ZEN-ZMD 020A A 0,75/4 HA 010	807222	0.75	1.0	4	200	155
ZEN-ZMD 020B A 1,1/4 HA 010	807223	1.1	1.5	4	200	210
ZEN-ZMD 020C A 1,5/4 AE 010	807224	1.5	2.0	4	200	230
ZEN-ZMD 030B A 2.2/6 AF 010	807225	2.2	3.0	6	300	450
ZEN-ZMD 030E A 3,2/6 AG 010	807226	3.2	4.0	6	300	820
ZEN-ZMD 040D A 4.5/8 AH 010	807217	4.5	6.0	8	400	1060

MIXERS

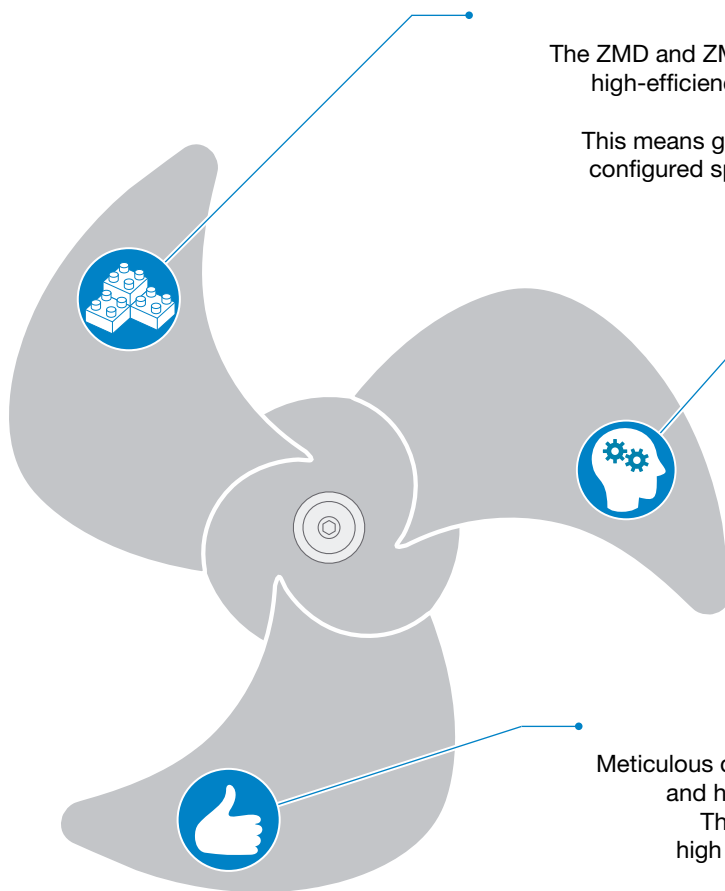
Submerged mixers are the most practical, efficient solution for mixing liquids in water treatment and purification plants. Suitably installed in tanks, these devices apply a force varying depending on the propeller diameter, shape and rotation speed to the liquid in which they are immersed, and keep the mass of fluid in motion to boost homogenisation and prevent sediment formation.

They can be adopted in single or multiple installations, or in combination with bottom aeration systems, depending on the process in which they are used.

Their efficiency class IE3 motors, already applied on the Zenit UNIQA range of submersible pumps, keep running costs down, with low energy use and limited maintenance.

Their complete compatibility and vast assortment of accessories allow them to be installed in any point of the tank, both for optimal mixing and for use as replacements for obsolete devices in existing systems.

All mixers supplied standard fitted with internal moisture sensor. An external relay is required to utilise this feature.



Modular

The ZMD and ZMR range of mixers is built on a modular criterion in which high-efficiency motors evolved from the UNIQA units are coupled with propellers with different shapes, sizes and materials. This means greater flexibility when selecting the product, which can be configured specifically for the application, and for liquids with different densities and concentrations.

Innovative

Zenit mixers are built with innovative materials and include state-of-the-art engineering solutions developed in a modern department which also conducts performance and endurance tests on the parts most subject to wear. This guarantees lower energy consumption and exceptional versatility, making them suitable for any type of installation.

Reliable

Meticulous design, machining on latest-generation machining centres and high quality components make Zenit mixers highly reliable. This ensures a long working life even with liquids containing high solid concentrations, and low maintenance, guaranteeing trouble-free, continuous system operation.



blueBOX

DESIGN BASED ON FEEDBACK FROM PROFESSIONAL USERS IN THE COLLECTION AND DISPOSAL OF DOMESTIC WASTEWATER

The blueBOX range of high quality polyethylene tanks are extremely versatile and easy to install. They are suitable for collecting clear, rain and wastewater from washing machines, sinks and toilets in systems installed at a lower level than the sewer, in locations such as garages or basements.

The entire range uses blue or bluePRO Series pumps, and are styled to match them.

The 60, 90, 150 and 250 models, suitable for domestic and small residential installations, are equipped to house a single pump.

The 400 model, intended for civil plants, can be equipped with two electric pumps for complete reliability.



COVER

Rugged walk-over cover with gasket. The large cover allows a second pump to be added in emergencies, for easy, hygienic drainage.



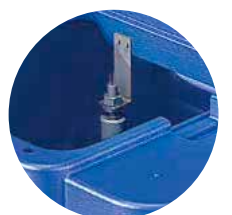
INTAKES

Wastewater pipeline intake ports also provided on sides.



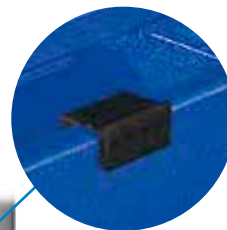
HANDLES

Two integral handles for lifting and transport, for easy transfer by hand.



ANTI-OVERFLOW FLOAT SWITCH [OPTIONAL]

Connection to the alarm light and buzzer of a control panel, the float switch warns that the maximum filling threshold has been passed in the case of a pump failure or excessive inflow of wastewater to the tank, allowing quick action to prevent overflows.



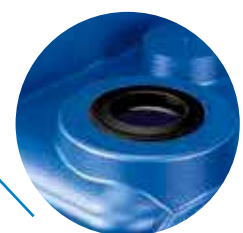
CABLE GLAND

PATENTED modular cable gland system allowing the pump or float switches to be removed with no need to disconnect or extract the power supply cable.



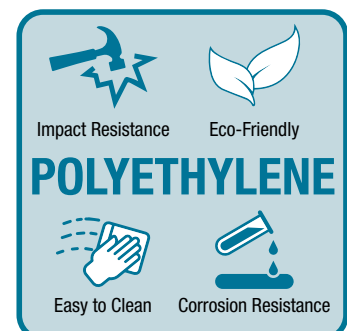
DRAINAGE

Emergency drainage fitting located low down in the unit (threaded union included).



GASKETS

Guaranteed airtight thanks to NBR rubber seals which allow quick connection of pipes to the blueBOX with no need for sealants.

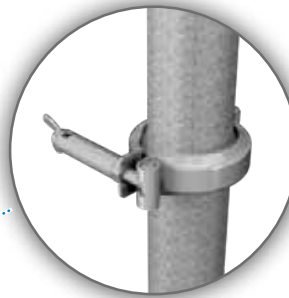


INSTALLATIONS

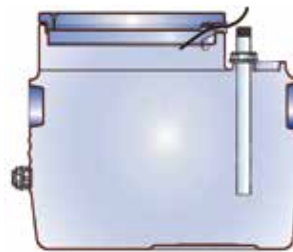
blueBOX lifting stations can be installed on-floor or in-floor. They are prefitted for use with Zenit blue and bluePRO series pumps with vortex impeller [DRAGA] or with grinding system [GRINDER], which must be ordered separately depending on the requirements. Specifically, the blueBOX 60 can also be used with multi-channel open impeller (DRENO) or high head (HIGH HEAD) pumps for higher heads when pumping clear or washbasin wastewaters.

The large number of intake and outlet pipeline fittings allow optimal installation even on existing plants. The many hydraulic and electric accessories make blueBOX lifting stations convenient to install and use.

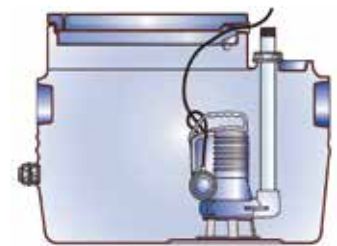
All models are suitable for direct installation thanks to the bottom shaped to hold the pump in position without the aid of additional accessories. Convenient installation with a bottom coupler is also an option for the 250 and 400 models. A ball check valve and/or a gate valve can be connected to the end of the discharge pipe.



A coupling allows the pump to be easily separated from the plant for **any maintenance requirements, without disconnecting the pipes** from the lifting station.



Blue Box Standard



Blue Box featuring Zenit DG Blue Vortex Pump

For simple, labour-saving installation, use of pumps with START/STOP float switch is recommended.

An optional float switch with an overflow alarm function [for connection to an electrical control panel] can be also be used if required.

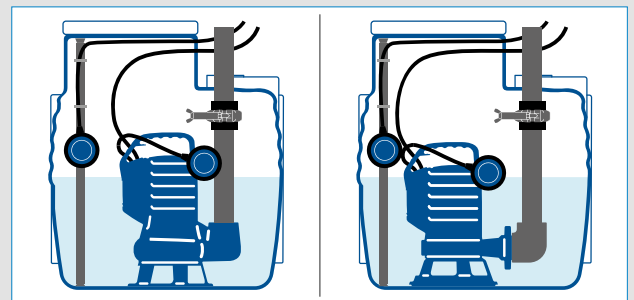
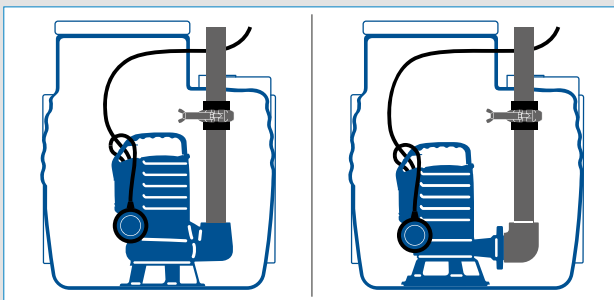
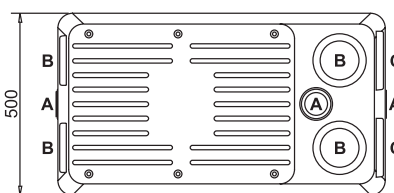
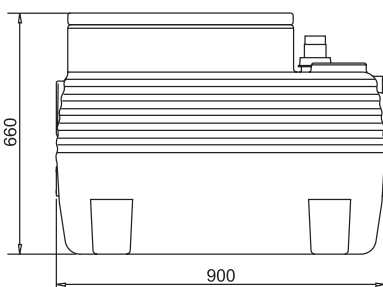
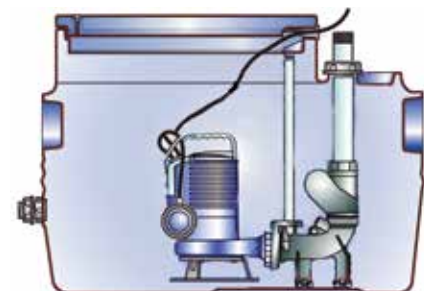


Diagram is ZEN-BLUEBOX250GR



A Ø 2"
B Ø 110 mm
C Ø 125 mm



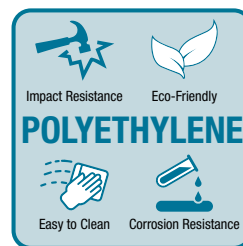
Blue Box featuring guide rails with built in air bleed, ball type non return valve & Zenit GR Blue Grinder Pump

LIFTING STATIONS

BLUEBOX SERIES

Suitable for collecting and lifting clear rain and wastewater from washing machines, sinks and bathrooms in systems installed at a lower level than the sewer, in locations such as garages or basements.

Can be stored below ground in a pit. Able to handle liquids such as raw sewage, trade waste, effluent and storm water.



Part Number	Item Code	Litres	Delivery Pipe	Suits	Description
ZEN-BLUEBOX60	802445	60	1½"	DG Blue Range	Collecting station for wastewater 480L x 370W x 470H
ZEN-BLUEBOX90	711120	90			Collecting station for wastewater 480L x 370W x 610H
ZEN-BLUEBOX150	711118	150		DG Blue, DG Blue Pro & GR Blue	Collecting station for wastewater 580L x 480W x 660H

250L Polyethylene tank, 660mm high x 900mm long x 500mm wide.

Installation accessories include:

- Gas tight o-ring sealing the lid
- Patented rubber cable clamps for mounting cables and preventing odour seepage
- Ideal for free standing installation for the DGBLUE single phase automatic vortex pumps, guide rail mounted GR Blue single phase automatic grinder pumps, or any single phase automatic pump with up to a 2" vertical outlet.

Part Number	Item Code	Litres	Delivery Pipe	Description
ZEN-BLUEBOX250DG	711121	250	1½" galvanised pipework and gaskets. Installation accessories.	Can be stored below ground in a pit. Able to handle liquids such as raw sewage, trade waste, effluent and storm water.
ZEN-BLUEBOX250GR	711126	250	2" galvanised outlet pipework and gaskets. Installation accessories.	Automatic Collecting Station for Domestic and Industrial Sewage. 2 x coupling foot with 2" vertical outlet and built in air bleed. 2" ball type non return valve. Suitable for Grinder pumps.
ZEN-BLUEBOX400GR	711119	400		

400L polyethylene tank 660mm high x 900mm long x 1000mm wide.

Installation accessories include:

- Gas tight o-ring sealing the lid
- Patented rubber cable clamps for mounting cables and preventing odour seepage
- Ideal for guide rail mounted GR Blue single phase automatic grinder pumps

Part Number	Item Code	Litres	Delivery Pipe	Description
ZEN-BLUEBOX400GR	711119	400	2" galvanised outlet pipework and gaskets. Installation accessories.	Automatic Collecting Station for Domestic and Industrial Sewage. 2 x coupling foot with 2" vertical outlet and built in air bleed. 2" ball type non return valve. Suitable for Grinder pumps.



blueBOX fitted with DG Blue Pro Pump

blueBOX fitted with GR Blue Pro Pump

Impact Resistance Eco-Friendly

POLYETHYLENE

Easy to Clean Corrosion Resistance

WARRANTY

ZENIT
2
YEAR PUMP WARRANTY

blueBOX fitted with DG Blue Pro Pump

Part Number	Item Code	Description	Outlet
ZEN-BLUEBOX250DGBLUE40M	711123	ZEN-BLUEBOX250DG with ZEN-DGBLUE40/2/G40VMGEX fitted	1½"
ZEN-BLUEBOX250DGBLUE50M	711124	ZEN-BLUEBOX250DG with ZEN-DGBLUE50/2/G40VMGEX fitted	
ZEN-BLUEBOX250DGBLUE75M	711125	ZEN-BLUEBOX250DG with ZEN-DGBLUE75/2/G40VMGEX fitted	
ZEN-BLUEBOX250DGBLUE100M	711122	ZEN-BLUEBOX250DG with ZEN-DGBLUE100/2/G40VMGEX fitted	

blueBOX fitted with GR Blue Pump

Part Number	Item Code	Description	Outlet
ZEN-BLUEBOXGRBLUE100M	711127	ZEN-BLUEBOX250GR with ZEN-GRBLUEP100/2/G40HMGEX fitted	2"
ZEN-BLUEBOXGRBLUE150M	711128	ZEN-BLUEBOX250GR with ZEN-GRBLUEP150/2/G40HMGEX fitted	
ZEN-BLUEBOXGRBLUE200M	711129	ZEN-BLUEBOX250GR with ZEN-GRBLUEP200/2/G40HMGEX fitted	



ACCESSORIES - BIANCO iCON CONTROLLERS

INTELLIGENT CONTROLLERS

The Bianco iCON range of intelligent controllers are:

- Suitable for installation in various industrial and domestic applications
- Function Switches for drainage, pressure boosting and transfer applications
- User Friendly features for controlling and protecting pumps and reporting faults with live data retention
- Slave control functionality included with iCON intelligent devices as standard
- RS485 communication interface for easy integration into Building Management Systems
- Ingress protection rating IP54 with intelligent dynamic LCD display for pump running information that is suitable for installation both indoors and outdoors
- Automatic Calibration of iCON intelligent controller which sets pump thermal overload by means of button push
- Optional enclosure with an external door available



SPC Series - Single pump controllers

Part Number	Item Code	Description	Volts	kW
BIA-SPC1-22	802687	Single Pump Control Panel	240	2.2
BIA-SPC1-22S	803810	Single pump Control Panel with 0-2m transducer for drainage and sewage applications.		
BIA-SPC3-40	802688	Single Pump Control Panel	415	4.0
BIA-SPC3-110	802689	Single Pump Control Panel		11.0
BIA-SPC3-150	802690	Single Pump Control Panel		15.0
BIA-SPC-SC	802698	Single Pump Slave Control		



DPC Series - Dual pump controllers

Part Number	Item Code	Description	Volts	kW
BIA-DPC1-22	802691	Dual Pump Control Panel	240	2.2
BIA-DPC1-22S	803811	Dual pump Control Panel with 0-2m transducer for drainage and sewage applications.		
BIA-DPC3-40	802692	Dual Pump Control Panel	415	4.0
BIA-DPC3-110	802693	Dual Pump Control Panel		11.0
BIA-DPC3-150	802694	Dual Pump Control Panel		15.0
BIA-DPC-SC	802699	Dual Pump Slave Control		



Cover

Part Number	Item Code	Description
BIA-iCOVER	802700	Metal enclosure for control panel with lockable door. Includes 803417 audio and visual alarm. 500W x 400H x 200D



Accessories

Part Number	Item Code	Description
ZEN-FLOATIECEX5M	800291	IECEX Float Switch 5m (Zone 2 Compliant)
ZEN-FLOATIECEX10M	800290	IECEX Float Switch 10m (Zone 2 Compliant)
ZEN-FLOATIECEX20M	801123	IECEX Float Switch 20m (Zone 2 Compliant)



BIANCO iDRIVE

The Bianco iDRIVE eliminates the requirement for large pressure tanks and switches used for automatic operation as well as associated pressure cycling.

Provides both the ability to conserve energy by operating the pump according to the speed required to maintain constant pressure and further allowing for multiple set points to be met.

The controllers are equipped with an easy to use LCD display that is designed and built for controlling pump systems from the ground up. All controllers are IP55 rated and include a mounting bracket.



Part Number	Item Code	Phase In	Phase Out	kW	A	Max. No. of Drives
BIA-iDRIVE1150-240	802670	1 Phase 240V In	1 Phase 240V Out	1.5	7	1
BIA-iDRIVE1220-240	803815			2.2	14	
BIA-iDRIVE1150	802671	1 Phase 240V In	3 Phase 240V Out	1.5	7	6
BIA-iDRIVE1220	802672			2.2	10	
BIA-iDRIVE3220	802673	3 Phase 415V In	3 Phase 415V Out	2.2	5	
BIA-iDRIVE3400	802674			4.0	9	
BIA-iDRIVE3550	802675			5.5	13	
BIA-iDRIVE3750	802676			7.5	17	
BIA-iDRIVE31100	803188			11	25	
BIA-iDRIVE31500	803189			15	32	
BIA-iDRIVE31850	803190			18.5	37	
BIA-iDRIVETRANS1MPA	802680			-	-	



Bianco iALARM

10A 240V Level Alarm includes 10m low voltage float switch with counterweight, audible and visible alarm, and high/low level alarm push button selectable.

Part Number	Item Code	Amps	Volts
BIA-iALARM	802695	10	240



Bianco iPROTECT

Bianco iPROTECT is used to control single-phase pumps up to 2.2 KW and is suited for borehole, drainage, transfer and boosting in single pump applications.

The Bianco iPROTECT is suitable for "3-wire" PSC motors where the remote capacitor can be mounted inside the Bianco iPROTECT as well as 2-wire PSC motors with internal capacitor commonly found in surface mounted and submersible drainage single-phase pumps.

iProtect has an inbuilt audible alarm for high level warning in drainage setting. iProtect does not support a visible alarm

Part Number	Item Code	Description
BIA-iPROTECT	802697	Pump Protection Control 240V, 0.37-2.2kW



ACCESSORIES

ZENIT OXYPLATES

Disc diffusers having elastomer membrane with tiny holes for application in wastewater treatment processes in reactors with continuous or intermittent aeration, especially recommended for high-efficiency permanent installations.

The quality, design and membrane hole size ensure unbeatable efficiency in terms of the ideal oxygen transfer-head loss balance.

For application in wastewater treatment processes in reactors with continuous or intermittent aeration, especially recommended for high efficiency permanent installations.



Part Number	Item Code	Diameter (mm)	Air Flow Rate (L/min)	Head Loss (kPa)
ZEN-OXYPLATE9	711475	270	33	2 - 4
ZEN-OXYPLATE12	800360	340	33 - 167	2 - 3
SADDLE FOR OXYPLATE	711023	Pipe saddle for oxyplate		



AWTS DIAPHRAGM AIR BLOWER

Applications:

- Oxygen
- Septic Tanks
- Air injection
- Aeration
- Medical products

Product Features:

- Worlds Smallest & Lightest Model
- Low Noise & Low Power
- Dual Insulation
- Dust Trap Filter
- 80l Class of Electric Blower for Waste Water Treatment

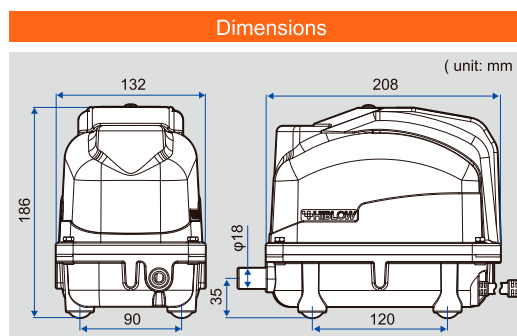
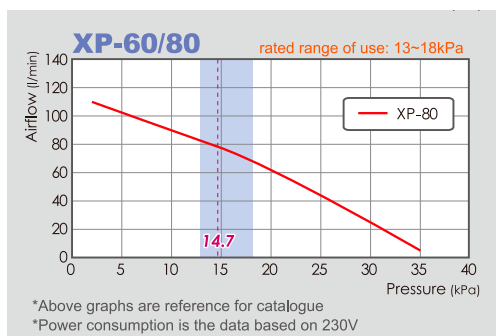


Dust Control "Dust Trap Filter"

"Dust Trap Filter" is realization of the structure which exert the effect of dust control by analyzing airflow and the speed with computer analysis !!

Easy Maintenance

- **Detachable built-in block**
Very easy to replace Chamber Block, Diaphragm Block, Rod
- **Easy restart by micro switch**
*XP-60 / 80 only



Part Number	Item Code	Watts	Voltage	Air Flow Rate (L/min)	Rated Pressure (kPa)	Noise Level (dBA)	Outlet (mm)
ZEN-XP80	800230	58	240	80	14.7	36	18

Part Number	Item Code	Description
ZEN-CFBALL50V	711155	Coupling Device C/W Ball NRV and Bleed, Vertical Outlet
ZEN-CF50V	711149	Coupling Device with Vertical Outlet
ZEN-CF65	711150	Coupling Device with Vertical Outlet
ZEN-CF80	711152	Coupling Device with Vertical Outlet
ZEN-CF100	711141	Coupling Device with Vertical Outlet
ZEN-CF150H	711143	Coupling Device with Horizontal Outlet
ZEN-CFBLUE40MM	802785	Discharge Pedestal Suit Blue 40mm
ZEN-CFBLUE50MM	802109	Discharge Pedestal Suit Blue 50mm
ZEN-ELBOW150	800253	Flanged Elbow
ZEN-NRVBALL32	711468	Ball Type Non-Return Valve
ZEN-NRVBALL40	711469	Ball Type Non-Return Valve
ZEN-NRVBALL50	711470	Ball Type Non-Return Valve
ZEN-NRVBALL65	711472	Ball Type Non-Return Valve
ZEN-NRVBALL80	711473	Ball Type Non-Return Valve
ZEN-NRVBALL100	711465	Ball Type Non-Return Valve
ZEN-NRVBALL150	711467	Ball Type Non-Return Valve
ZEN-CABLE2G1	711132	Cable H07 RNF
ZEN-CABLE3G1	711133	Cable H07 RNF
ZEN-CABLE4G1.5	711135	Cable H07 RNF
ZEN-CABLE4G1.5+3G0.75	711136	Cable H07 RNF
ZEN-CABLE7G1.5+3G0.75	711138	Cable H07 RNF
ZEN-PN16-2	711478	Flange 2" PN10-16
ZEN-PN16-2.5	711479	Flange 2-1/2" PN10-16
ZEN-PN16-3	711480	Flange 3" PN10-16
ZEN-PN16-4	711481	Flange 4" PN10-16
ZEN-FLT2	711391	Flygt Adaptor 2", 3/4" Guide Rails
ZEN-FLT65	802267	Flygt Adaptor 65mm, 1 1/2" Guide Rails
ZEN-FLT80	711392	Flygt Adaptor 80mm, 2" Guide Rails
ZEN-FLT100	711389	Flygt Adaptor 100mm, 2" Guide Rails



CF50V



NRV CUTAWAY



Available from your local Zenit distributor:

ZENITBROCHURE_JUNE-2021

WHITE INTERNATIONAL PTY LTD

60 Ashford Ave Milperra NSW 2214
PO Box 304 Milperra NSW 2214
Phone 02 9783 6000 Fax 02 9783 6001
Customer Service 1300 783 601
Email Sales: pumpsales@whiteint.com.au
www.whiteint.com.au

WHITE INTERNATIONAL NZ LTD

15G Kerwyn Avenue
East Tamaki, Auckland 2013, New Zealand
Phone 09 579 9777
Customer Service 0800 509 506
Email Sales: sales@whiteint.co.nz
www.whiteint.co.nz



WHITE[®]
INTERNATIONAL

Please always refer to our website for further technical information & new product innovations

Disclaimer: Every effort has been made to publish the correct details in this brochure. No responsibility will be taken for errors, omissions or changes in product specifications. Product images are representations only.

Scan QR Code on your smart phone or iPad to save a digital version.

